

## LEVELING

### Introduction

This document is intended to assist with the identification of a customer's LCI leveling system.

### Identification Steps

1. Does the touchpad state LCI Electronic Leveling or is the system otherwise branded with the LCI logo (Fig. 1)?
  - A. If no, product is not made by Lippert Components.
  - B. If yes, continue to step 2.

Fig. 1



2. Is the unit a motorized, 5th wheel, or travel trailer?
  - A. If motorized, continue to step 3.
  - B. If 5th wheel, continue to step 4.
  - C. If travel trailer, continue to step 5.
3. Motorized: Does the leveling system's touchpad have an LCD screen or is it made up entirely of lights and buttons?
  - A. If there is an LCD screen (Figs. 2 and 3), leveling system is: Motorized Level-Up® leveling system.

**NOTE:** Systems purchased before 2018 will have a black LCD touchpad, shown in Fig. 3.

- B. If touchpad is all lights and buttons (Fig. 4), leveling system is: Motorized Standard Leveling system.

Fig. 2



Fig. 3



Fig. 4



## LEVELING

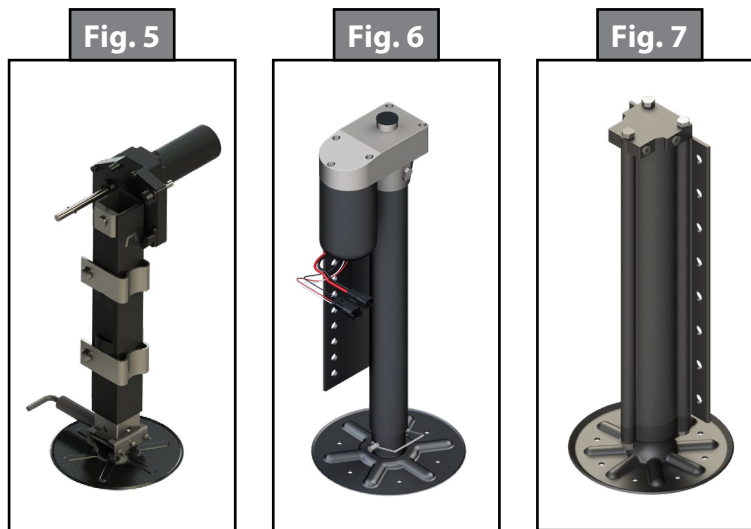
4. 5th wheel: Is the leveling system electric or hydraulic?
  - A. If electric, are the front and rear jack legs all square or are the rear jack legs round?
    - I. If all jack legs are square (Fig. 5), leveling system is: Ground Control® 2.0 leveling system.
    - II. If rear jacks legs are round (Fig. 6), leveling system is: Ground Control 3.0 leveling system.
      - a. Does the leveling system utilize an LCD touchpad or a OneControl™ touch panel?
        - i. If LCD touchpad (Figs. 8 and 9), leveling system is Ground Control® 3.0 leveling system with LCD touchpad.

**NOTE:** Systems purchased before 2018 will have a black LCD touchpad, shown in Fig. 9.

- ii. If OneControl™ touch panel (Fig. 10), leveling system is: Ground Control® 3.0 leveling system with OneControl™ touch panel.
  - B. If hydraulic (Fig. 7), leveling system is: Hydraulic Towable Level-Up®.
    - I. Does leveling system utilize an LCD touchpad or a OneControl™ touch panel?
      - a. If LCD touchpad (Figs. 8 and 9), leveling system is: Hydraulic Towable Level-Up® with LCD touchpad.

**NOTE:** Systems purchased before 2018 will have a black LCD touchpad, shown in Fig. 9.

- b. If OneControl™ touch panel (Fig. 10), leveling system is: Hydraulic Towable Level Up® with OneControl™ touch panel.



## LEVELING

5. Travel trailer: Is the leveling system electric or hydraulic?
  - A. If electric (Figs. 11 or 12), leveling system is: Ground Control® Travel Trailer leveling system.
    - I. Does leveling system utilize an LCD touchpad or a OneControl™ touch panel?
      - a. If LCD touchpad (Figs. 14 and 15), leveling system is: Ground Control® Travel Trailer leveling system with LCD touchpad.
    - b. If OneControl™ touch panel (Fig. 16), leveling system is: Ground Control® Travel Trailer leveling system with One Control™ touch panel.
  - B. If hydraulic (Fig. 13), leveling system is: Travel Trailer Level-Up® with LCD touchpad (Figs. 14 and 15).

**NOTE:** Systems purchased before 2018 will have a black LCD touchpad, shown in Fig. 15.

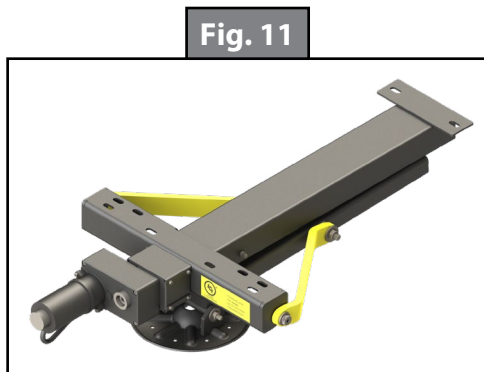


Fig. 11

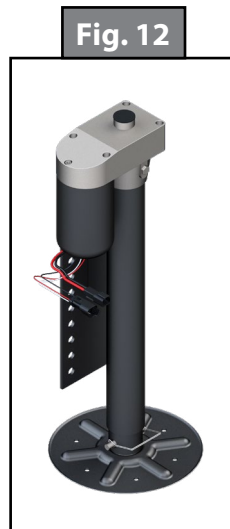


Fig. 12

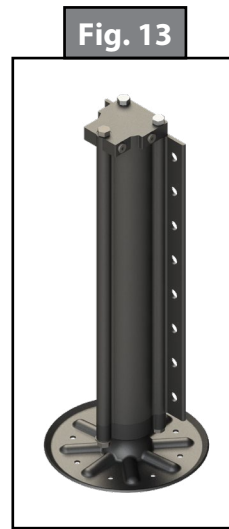


Fig. 13



Fig. 14



Fig. 15



Fig. 16

As a supplier of components to the RV industry, safety, education and customer satisfaction are our primary concerns. Should you have any questions, please do not hesitate to contact us at (574) 537-8900 or by email at [customerservice@lci1.com](mailto:customerservice@lci1.com). Self-help tips, technical documents, product videos and a training class schedule are available at [lci1.com](http://lci1.com) or by downloading the MyLCI app.