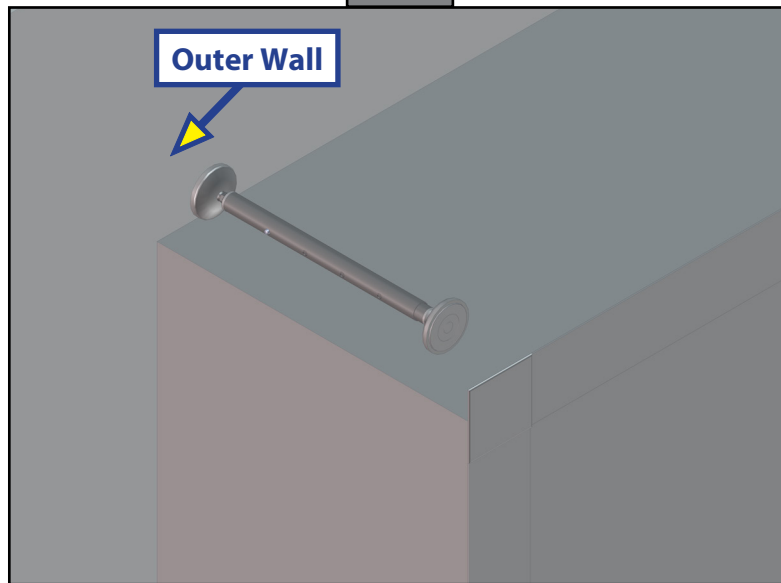




### Operation

1. Fully retract the slide room.
2. Place the travel lock against the outer wall of the slide room (Fig. 1).

Fig. 1



3. Press both sides of the two-button quick-release connector (Fig. 2A) to extend the travel lock to the inner fascia of the coach (Fig. 3). The travel lock should lock into position.

Fig. 2

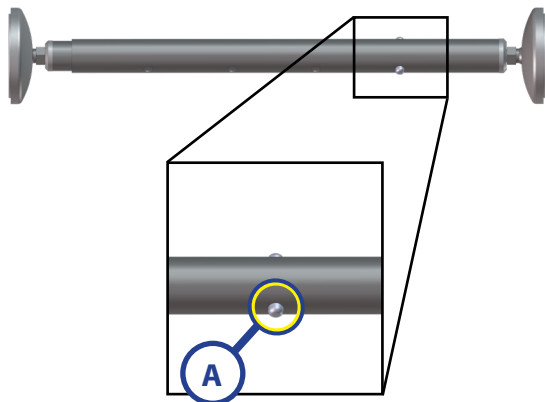
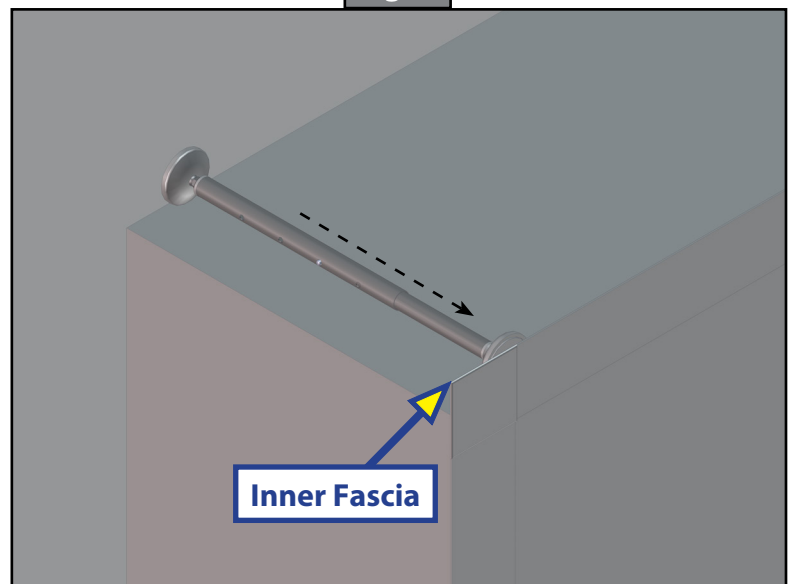


Fig. 3





4. If the travel lock does not fit snugly against the inner fascia, turn the swivel pad (Fig. 4) to extend the threaded rod (Fig. 5A) until the travel lock fits tightly against the inner fascia of the coach (Fig. 6).

Fig. 4

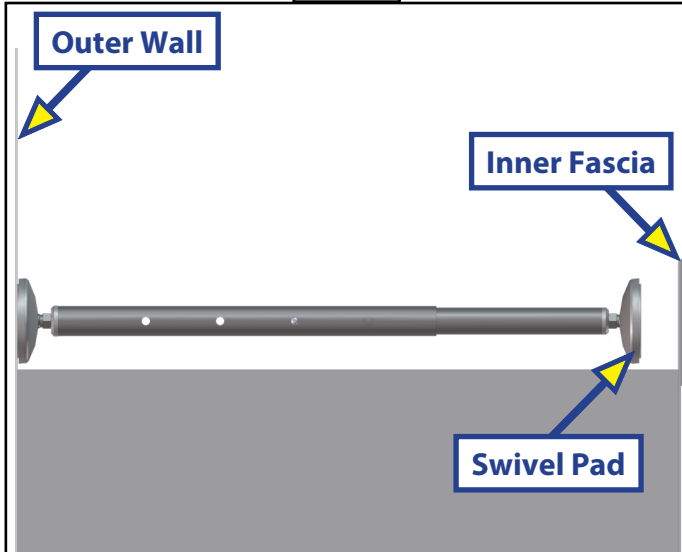


Fig. 5

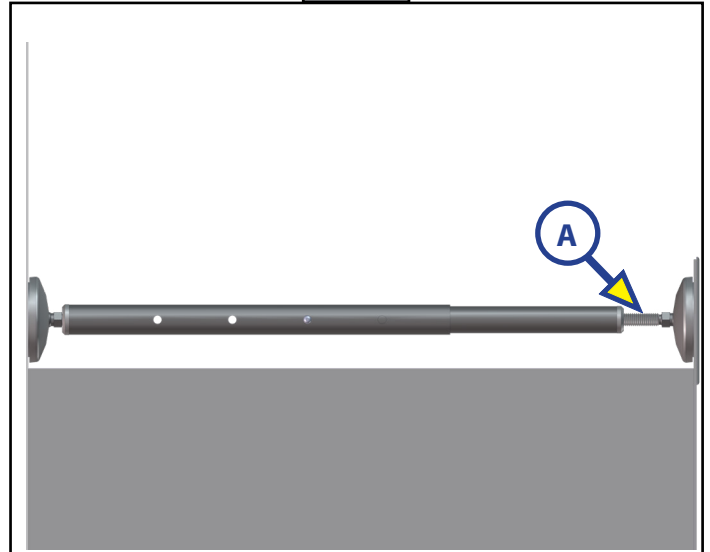


Fig. 6





## Removal

**⚠ WARNING**

Failure to remove the slide-out travel lock prior to operation may result in serious injury or property damage.

1. To remove the travel lock, turn the swivel pad nut (Fig. 7) to retract the threaded rod (Fig. 8) until the travel lock can be removed (Fig. 9).

Fig. 7

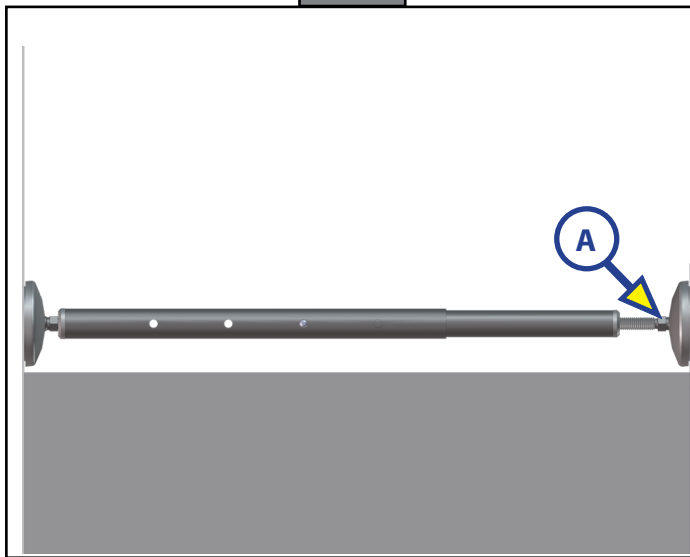


Fig. 8

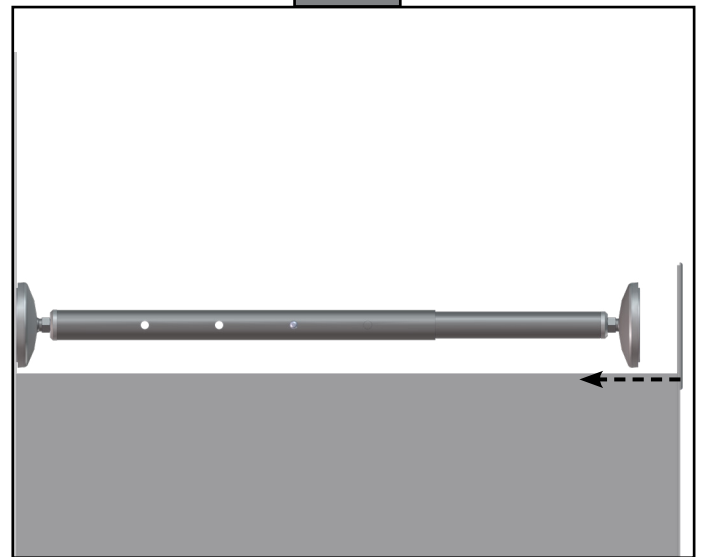


Fig. 9

