



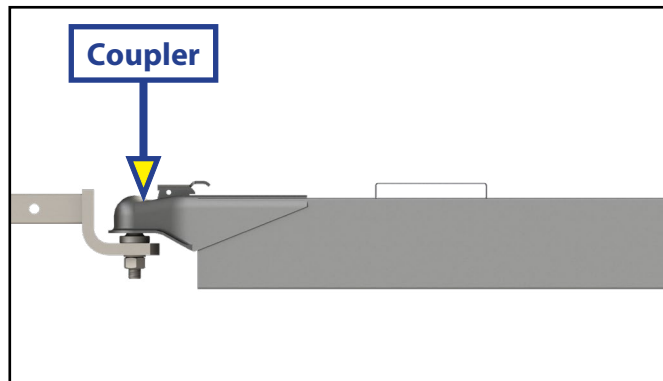
## Purpose

This document illustrates the hitch weight percentages for travel trailers, 5th wheel trailers and gooseneck trailers. Recommended hitch weight is calculated as a percentage of the gross vehicle weight rating (GVWR).

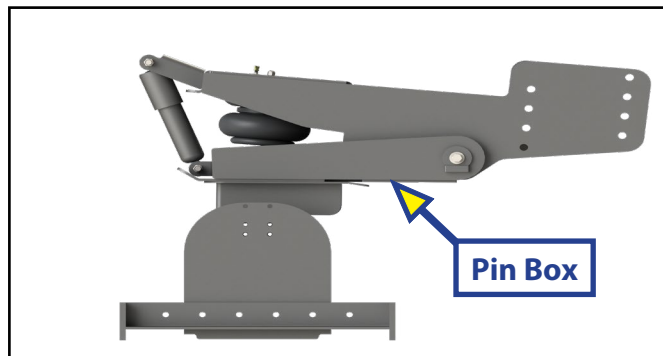
**NOTE:** Make sure to check the gross vehicle weight rating for the vehicle and the gross vehicle weight rating for the trailer.

Failure to ensure properly distributed trailer weight may result in dangerous conditions, such as trailer sway or steering issues.

**Coupler  
Load Rating  
= 9%-15%  
of GVWR**



**Pin Box  
Load Rating  
= 15%-20%  
of GVWR**



**Gooseneck  
Load Rating  
= 10%-15%  
of GVWR**

