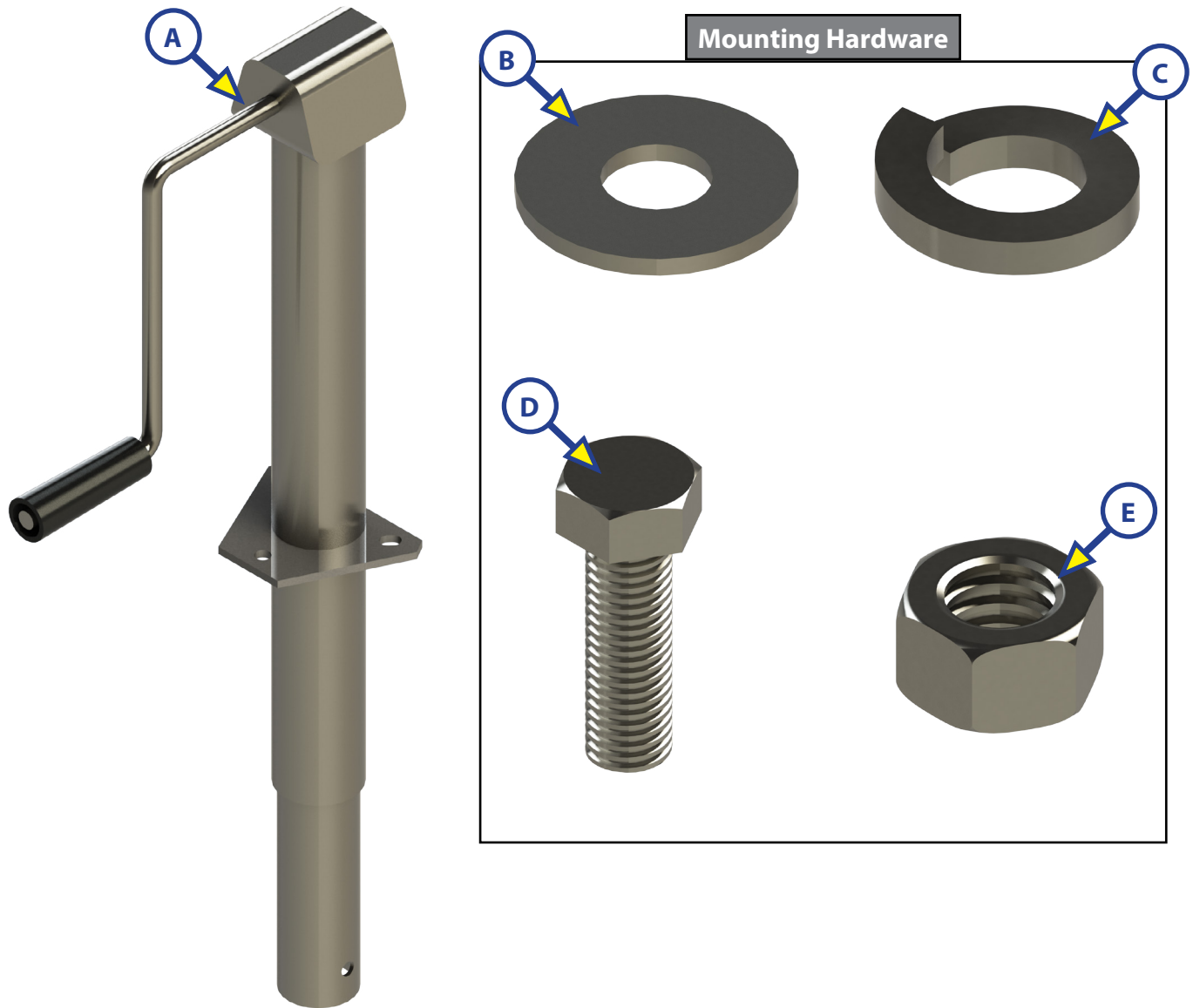


LEVELING AND STABILIZATION



Callout	Part #	Description
A	133074	Sidewinder Jack
B	118130	Washer $\frac{5}{8}$ x 1.78 x .160 Flat, Zinc
C	118166	Washer $\frac{5}{8}$ x 1.034 x .156 Lock
D	131619	Bolt $\frac{5}{8}$ - 11 x 2 Hex Zinc
E	129086	Nut $\frac{5}{8}$ - 11 Hex Zinc
NOTE: Items B through E are shipped with the jack.		