



WINDOWS SERVICE AND REPAIR INFORMATION

Phone: 574-537-8900 | Email: customerservice@lci1.com | Fax: 574-534-7161

Please Print Neatly

Home Manufacturer:

Control # (For Office Use Only):

Home Serial #:

Today's Date:

Dealer Name:

Date Home was Manufactured:

Phone #:

Manufacturers Address:

Date of Retail Sale:

Name of Homeowner:

Address:

Home Phone #:

Work Phone #:

Cell Phone #:

Problems: Please answer the following questions to help identify the problem.

1. If known, please check series below:

9750 Vinyl VS Single Hung

7500 Aluminum Patio Door

1500 VS Vinyl

9770 Vinyl VS Double Hung

5700 Aluminum Single Storm

1500 XOX Vinyl

9990 Vinyl XOX

18000 VS Aluminum

19000 Aluminum HS

9990 Vinyl HS

2400 Aluminum

5800 Aluminum HS Single Storm

1600 Vinyl Patio Door

2. Does the lock carry KINRO Logo?

Yes

No

3. If vinyl window, does the moving panel have tilt in feature?

Yes

No

4. If vinyl window, do both panels operate up and down?

Yes

No

5. If window or storm, is problem with top glass, bottom glass, or frame?

Top

Bottom

Frame

6. If patio door, is problem with fixed glass, sliding glass, or frame?

Fixed

Sliding

Frame

7. Please check glass problem:

Scratched

Cracked

Fogged/Seal Failure

8. Does window have grids? (See Page 2 for Style and Grid Patterns)

Yes

No

9. Approximate size of unit in inches:

Width:

Height:

10. Color of vinyl frame:

White

Clay

11. Color of glass:

Clear

LowE

OBS

Green Tinted DSB

12. Color of aluminum frame:

White

Mill

Bronze

13. Aluminum frame type:

Flush

Lap or Recessed Flange

14. Describe the problem or list other products and conditions:

NOTE: Condensation on the interior (room side) of the glass is NOT a defect in the glass or window. Condensation on exposed glass surfaces is a result of high levels of humidity in the home. Literature is available upon request.

NOTE: All window shipments must be inspected within 5 days of delivery.

OEM Signature: _____ Date: _____

NOTE: By signing above, the Customer/OEM agrees to purchase the window/door if it was built to the specifications on this form.

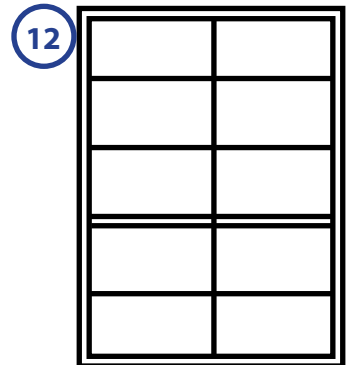
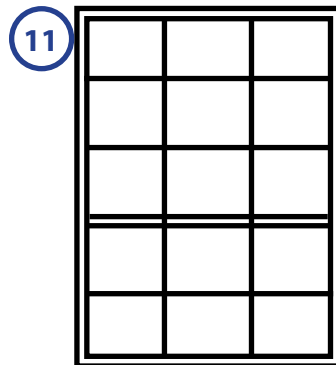
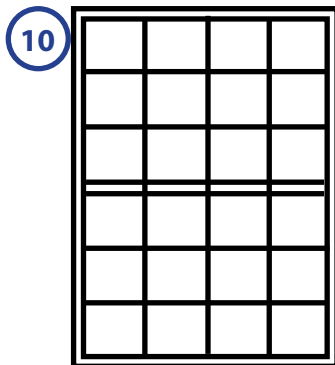
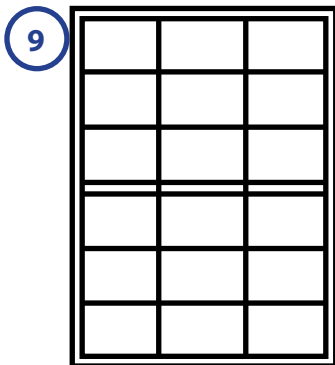
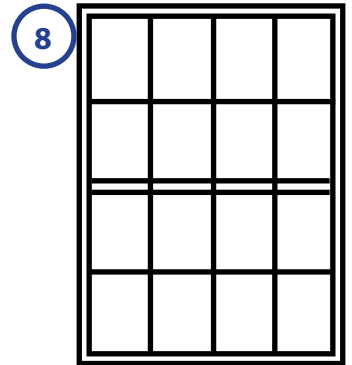
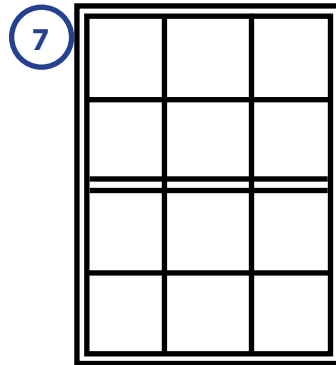
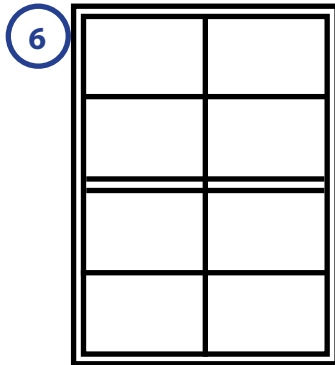
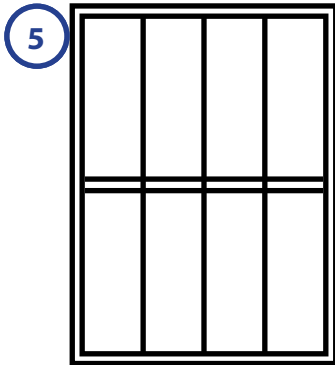
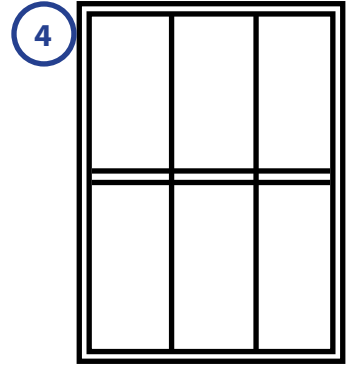
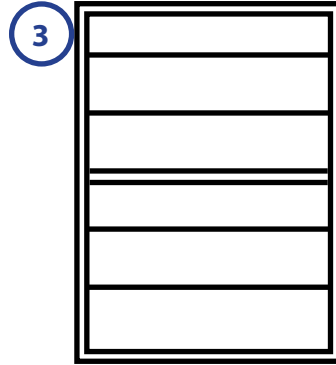
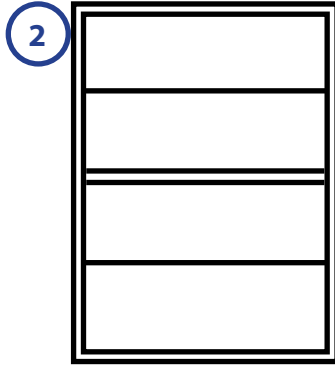
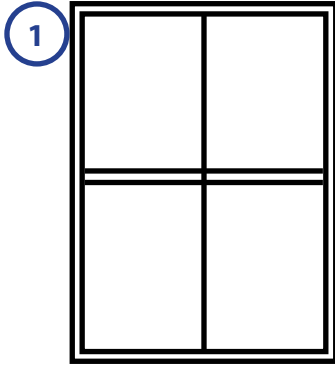


WINDOWS SERVICE AND REPAIR INFORMATION

Phone: 574-537-8900 | Email: customerservice@lci1.com | Fax: 574-534-7161

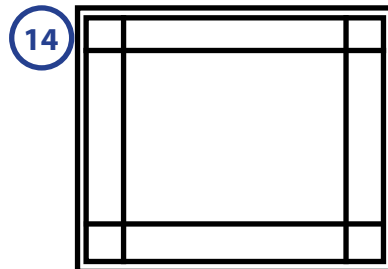
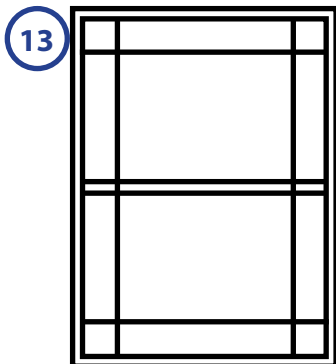
Grid Patterns

Check the box next to the appropriate grid pattern for your window or door. If the grid pattern in your window or door is not depicted below, please include a photo of your window or door with the order form and check the box below next to "Photo Included".



Modified Perimeter

Perimeter



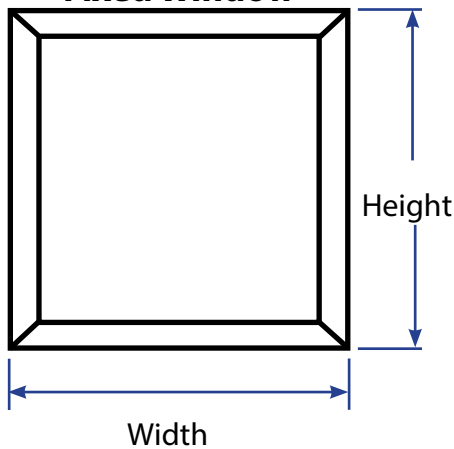
15 **Photo Included**

Window Measurements

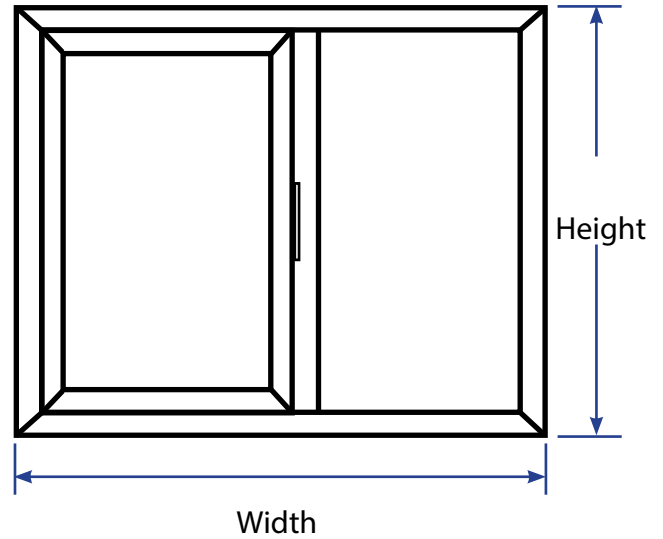
1. Fill in the measurements in the boxes on the appropriate window style.
2. If the problem is glass seal failure, mark the failed section(s) on the appropriate window style.

NOTE: For Combination Window and Double End Slider: Measure each section as well as overall size.

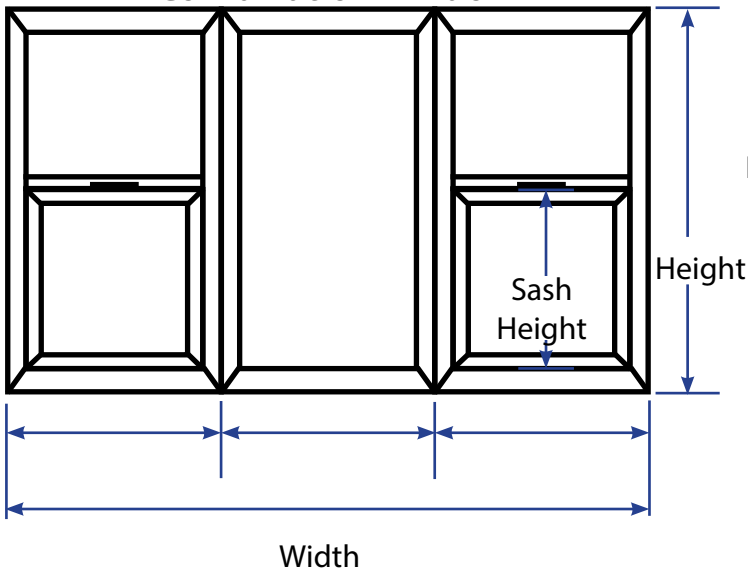
**Picture
or
Fixed Window**



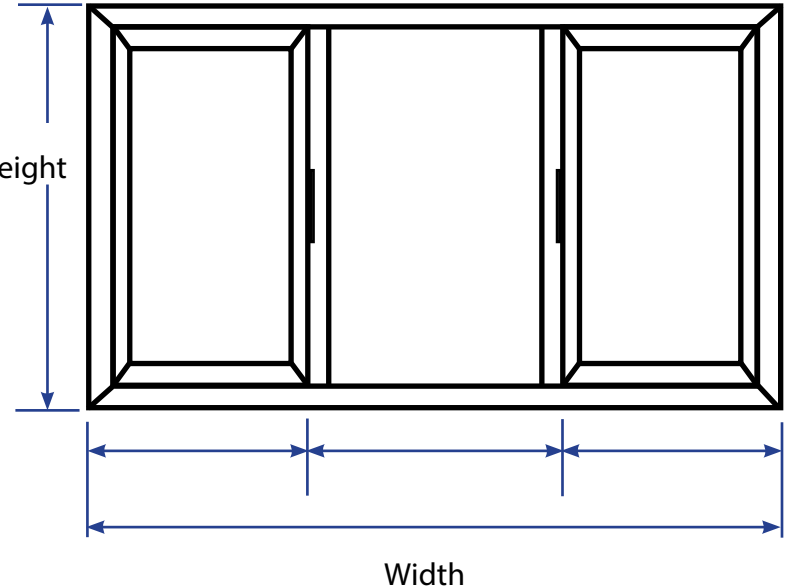
Horizontal Slider



Combination Window



Double End Slider (XOX)





WINDOWS SERVICE AND REPAIR INFORMATION

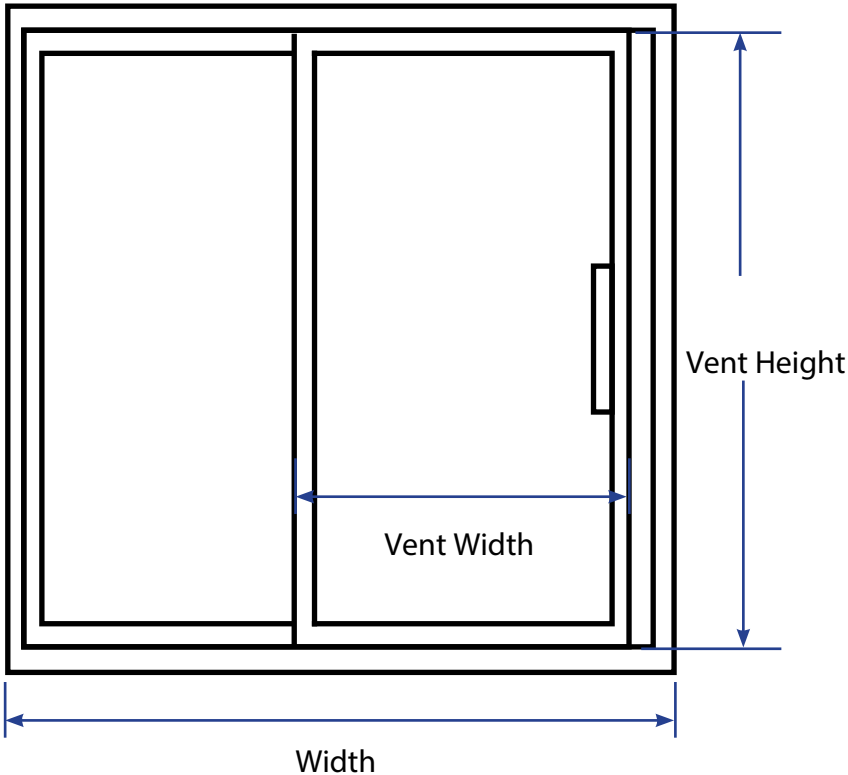
Phone: 574-537-8900 | Email: customerservice@lci1.com | Fax: 574-534-7161

Measure from inside the home, from wood to wood. Fill in the measurements in the appropriate boxes.

Please measure your windows left to right and top to bottom as shown below.

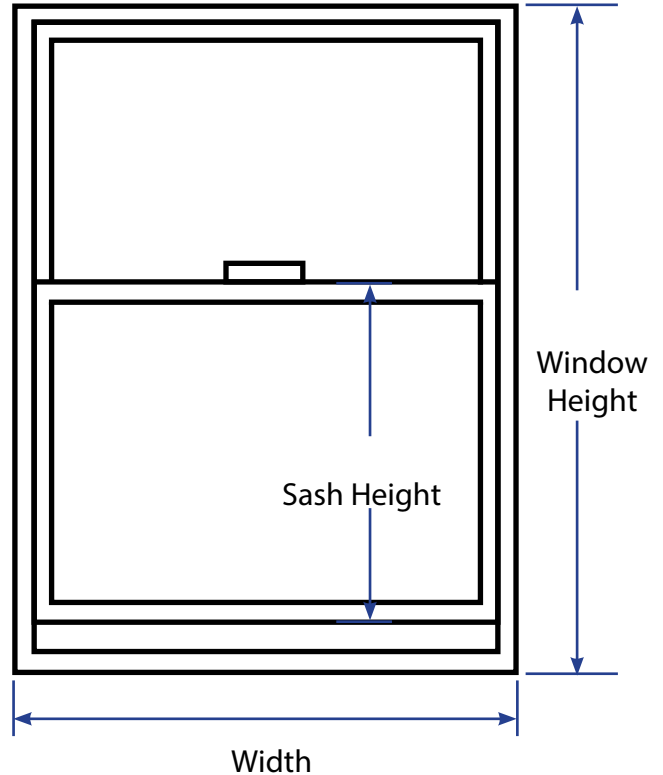
Patio Door

Open vent to measure overall vent width.



Window

Open sash to measure overall sash height.



How many windows are you having the problem with?

Are your windows fogging up at the top portion or bottom portion? Indicate location on the drawing above.

If it's a center portion in a picture window, do the side windows slide in towards the center (horizontal slider) or do they slide up and down (vertical slider)?

Horizontal

Vertical

For picture windows, measure left to right and top to bottom in the center portion only.

If there is more than one window involved, and the problem is on both sections, please indicate sizes and if the portion needed is the top (fixed glass) or the bottom (moving glass).