

AXLES AND SUSPENSION

Purpose

To maintain and extend the product life of the Ice House Leveling product line.

Safety

CAUTION

Always wear eye protection when performing service or maintenance to the trailer. Other safety equipment to consider would be hearing protection, gloves and possibly a full face shield, depending on the nature of the service.

CAUTION

Do not mix lithium, calcium, sodium or barium complex greases. Chemical compatibility problems may occur. If you are changing from one chemical grease to another, be sure all old grease is removed prior to applying new grease. If the old grease is not removed completely, chemical compatibility problems may result in component failure or damage.

CAUTION

Moving parts can pinch, crush or cut. Keep clear and use caution.

Resources Required:

- Grease gun
- Molybdenum-based grease

Maintenance Steps

Grease Specifications

CAUTION

Do not mix lithium, calcium, sodium or barium complex greases. Chemical compatibility problems may occur. If you are changing from one chemical grease to another, be sure all old grease is removed prior to applying new grease. If the old grease is not removed completely, chemical compatibility problems may result in component failure or damage.

LCI recommends a NLGI # 2 grade lithium complex EP grease for all applications contained within this manual. A molybdenum-based grease is preferred.

Grease Application

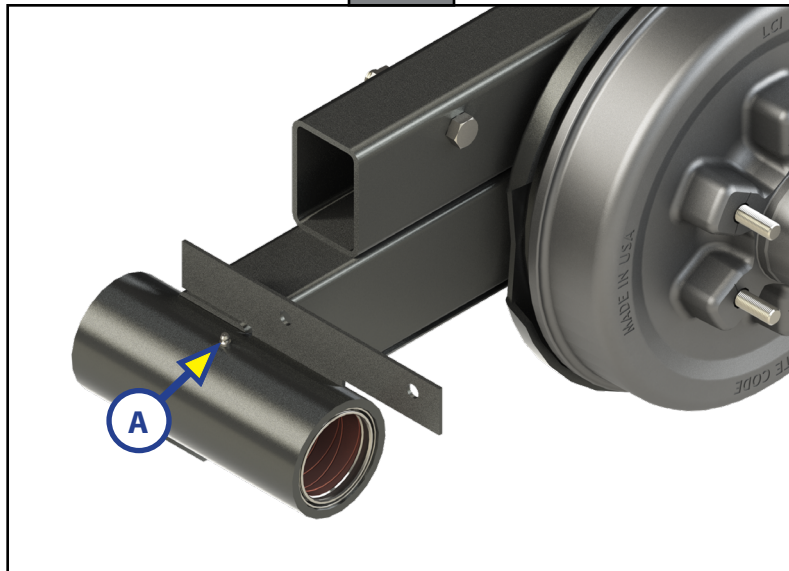
This maintenance **must** be completed every 3,000 miles or 3 months, whichever comes first.

1. Use a grease gun to grease the zerk (Fig. 1A) located on the front pivot tube.

NOTE: 80 millimeters or $\frac{3}{8}$ of a cup of lithium-based multipurpose grease should be used on each side of the trailer.

AXLES AND SUSPENSION

Fig. 1



Electric Leveling Maintenance Schedule

Item	Function Required	Monthly (or as needed)	3 Months	6 Months ¹
Jacks	Remove dirt and road debris.	◆		
	Lubricate inner jack legs. ²		◆	
	Jack mounting bolt torque (90 ft-lb).			◆
Wiring/ Electrical	Inspect wiring for bare spots, fray, etc.			◆
	Inspect and ensure that all wiring harness connections are tight and free of corrosion			◆
	Battery voltage (should be 12.75 V DC)	At Each Use		

¹6-month interval could also be the beginning and end of the travel season if not a full-time traveler.

²Lubricate inner jack legs: A 3-month interval is for normal environments. A 4 to 6-week interval would be appropriate for trailers located in a salty environment.

AXLES AND SUSPENSION

Pivot Axle and Brake Maintenance Schedule					
Item	Function Required	Weekly	3 Months/ 3,000 Miles	6 Months/ 6,000 Miles	12 Months/ 12,000 Miles
Brakes	Test that they are operational.	At Every Use			
Breakaway System	Check battery charge and switch operation.	At Every Use			
Brake Adjustment	Adjust to proper operating clearance.		◆		
Brake Magnets	Inspect for wear and current draw.			◆	
Brake Linings	Inspect for wear or contamination.				◆
Brake Controller	Check for correct amperage and modulation.			◆	
Trailer Brake Wiring	Inspect wiring for bare spots, fray, etc.				◆
Hub/Drum	Inspect for abnormal wear or scoring.				◆
Wheel Bearing	Inspect for corrosion or wear. Clean and repack.				◆
Seals	Inspect for leakage. Replace if removed.				◆
Springs	Inspect for wear, loss of arch.				◆
Suspension Parts	Inspect for bending, loose fasteners, wear.			◆	
Hangers	Inspect welds.				◆
Wheel Nuts and Bolts	Tighten to specified torque values.		◆		
Wheels	Inspect for cracks, dents, or distortion.			◆	
Tire Inflation Pressure	Inflate tires to mfg's specifications.	◆			
Tire Condition	Inspect for cuts, wear, bulging, etc.		◆		
Pivot Shaft	Apply grease through grease zerk. See Grease Application section and Figure 1.		◆		

As a supplier of components to the RV industry, safety, education and customer satisfaction are our primary concerns. Should you have any questions, please do not hesitate to contact us at (574) 537-8900 or by email at customerservice@lci1.com. Self-help tips, technical documents, product videos and a training class schedule are available at lci1.com or by downloading the MyLCI app.