



LIPPERT
COMPONENTS®

Formerly  Atwood Mobile Products

LITERATURE NUMBER MPD 85050

BRAKE ACTUATOR

SUPPLEMENT

JAYCO® TENT CAMPER APPLICATION
UP TO 3500 LBS. GVWR

ENGLISH

•Installation


Effective 11/21/07


FOR YOUR SAFETY

READ ALL INSTRUCTIONS PRIOR TO INSTALLING BRAKE ACTUATOR

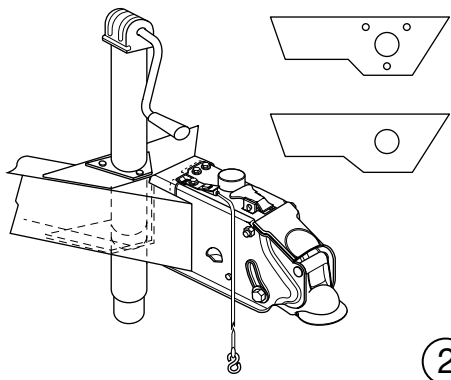
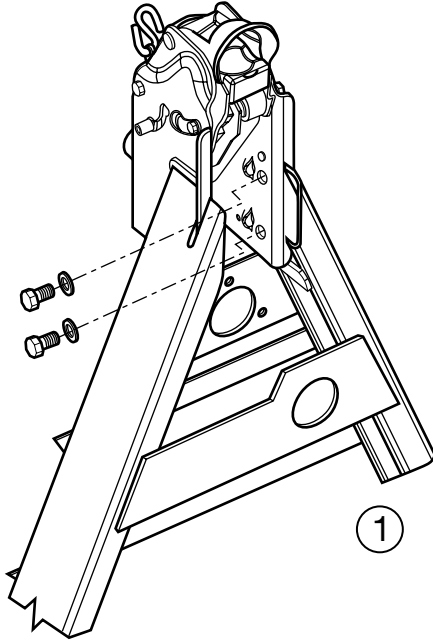
SAFETY ALERT SYMBOLS

Safety Symbols alert you to potential personal safety hazards. Obey all safety messages following these symbols.

 **WARNING**
avoid possible
injury or death

 **CAUTION**
avoid possible
injury and/or property damage

For complete Operation and Maintenance instructions refer to MPD 85778 - Hydraulic Surge Brake Systems.



WARNING

PERSONAL INJURY & PRODUCT DAMAGE

- A-Frame Bolt Between application for Jayco® tent campers is rated for 3500 lb GVWR.
- Do not exceed these capacities. Gross Vehicle Weight Rating is total weight of trailer fully loaded including personal belongings. Know your trailer GVWR.
- Brake actuator must be installed with the Atwood supplied fasteners.

INSTALLATION

A-FRAME - BOLT BETWEEN APPLICATION

3500 LB. GVWR, MAX. TONGUE LOAD 525 LB. - DO NOT EXCEED THESE RATINGS

2" Ball Size

PART NO. 83154

1. Slide actuator into frame mounting plates.
2. Align four (4) mounting holes (inside of actuator frame).
3. Install 2 bolts with lockwashers to each side of actuator.
 - A - four (4) MPD 13529 bolts - 1/2-13x7/8" SAE Grade 5 with scotch grip 2510 locking patch
 - B - four (4) MPD 09100 lockwashers - split lockwashers.
4. Torque bolts to 75-80 ft.-lbs.

CAUTION

PRODUCT DAMAGE

- Weld the trailer "A" frame members together with additional bracing (i.e. cross members or jack mounting plates (FIG 2). The brake actuator alone is not designed to withstand the torsional twist of the trailer.
- The cross member(s) should be comparable in strength to the trailer frame, and located as close to the brake actuator as possible.

NOTE: If Atwood top and bottom jack mounting plates are used (MPD 82570 or MPD 82580) (FIG 2), move the jack mounting plates as close to the brake actuator as possible and weld along the entire area where the plates and trailer frame contact.

GENERAL WELDING INSTRUCTIONS - ATTACH MOUNTING PLATES WITH 5/32" FILLET WELD WITH NO. E6011 AWS WELDING ROD OR EQUIVALENT.