

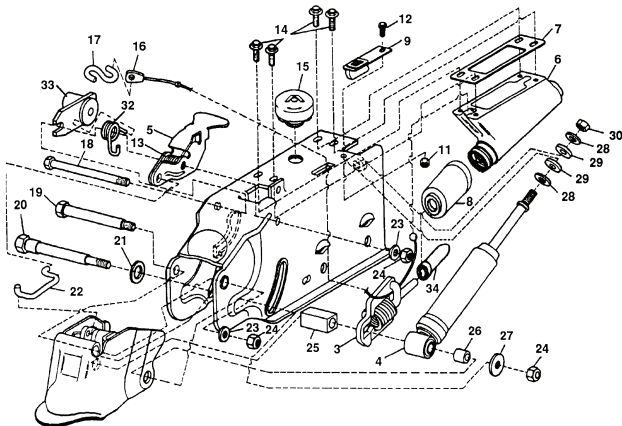


LIPPERT  
COMPONENTS®

Formerly  Atwood Mobile Products

MPD 85091  
**HYDRAULIC BRAKE  
ACTUATOR REPLACEMENT  
KITS**  
INSTALLATION INSTRUCTIONS

Effective 11/93



**Atwood Hydraulic Brake Actuator Replacement Kits**

KIT NUMBER	DESCRIPTION	KIT INCLUDES
85830	Shock Absorber Replacement Kit	4, 28 - 2 ea., 29 - 2 ea., 30, 24
85837	Master Cylinder Push Rod Kit	3, 7, 14 - 4 ea., 16, 17, 24, 6, 8, 34
87478	Cap Replacement Kit	15
85841	Master Cylinder Replacement Kit	6, 7, 14 - 4 ea.
85842	Shoulder Bolt Replacement Kit	20, 21, 24, 25, 26, 27
85844	Release Handle Replacement Kit	5, 18, 22, 23, 24 - 3 ea., 19
85849	Stop & Spring Assembly Replacement Kit	9, 11, 12, 28 - 2 ea., 29 - 2 ea., 30
85852	Push Rod Assembly Replacement Kit	3, 7, 14 - 4 EA., 16, 17, 24, 34
84258	Boot Replacement Kit	8