



LIPPERT
COMPONENTS®



POWER TONGUE JACK

Power Tongue Jack Installation and Owner's Manual (For Aftermarket Applications)

Table of Contents

Introduction	2
Safety Information	2
Parts List	2
Prior to Installation	3
Resources Required	3
Preparation	3
Installation	3
Prior to Operation	4
Operation	5
Unhitching from Tow Vehicle	5
Reconnecting to Tow Vehicle	5
Manual Operation and Troubleshooting	6
Manually Unhitching from Tow Vehicle	6
Manually Reconnecting to Tow Vehicle	6
Fuse	7
Clutch	7
Notes	7



LIPPERT
COMPONENTS®

Power Tongue Jack

Installation and Owner's Manual

(For Aftermarket Application)

Introduction

Our 3,500-pound capacity Power Tongue Jacks make lifting and lowering a trailer so easy. With just the flip of the switch, the Power Tongue Jack lifts a trailer with ease. Helical cut gears reduce noise and improve operating efficiencies, and four LED lights makes setting up camp simple, day or night.

NOTE: The Power Tongue Jack is for travel trailer applications only.

Safety Information

NOTE: Warning, Caution and Danger symbols indicate that an installation procedure has a safety risk involved and may cause death, serious injury or property damage if not performed safely and within the parameters set forth in this manual. Always wear eye protection when performing this installation procedure. Other safety equipment to consider would be hearing protection, gloves, and possibly a full face shield, depending on the nature of the installation procedure.

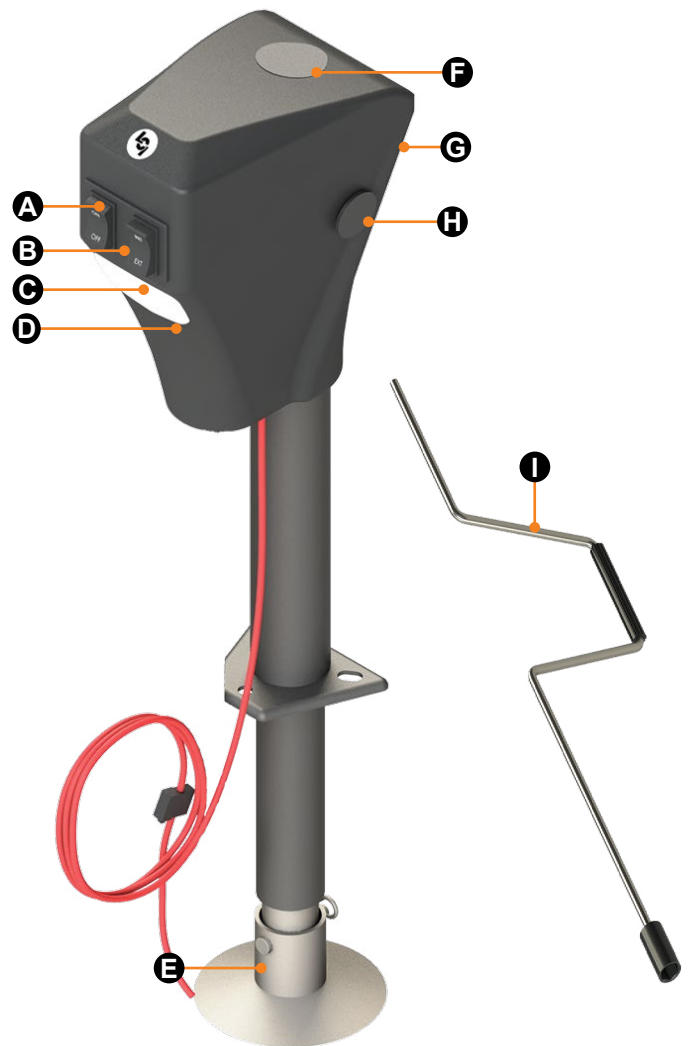
⚠ WARNING

FAILURE TO ACT IN ACCORDANCE WITH THE FOLLOWING MAY RESULT IN DEATH, SERIOUS INJURY, TRAILER OR PROPERTY DAMAGE.

⚠ CAUTION

MOVING PARTS CAN PINCH, CRUSH, OR CUT. KEEP CLEAR AT ALL TIMES.

Parts List



Letter	Part#	Description
A	226018	On/Off Light Switch
B	226023	Extend/Retract Switch
C	225885	Lens
D	226027	LED Light
E	165253	Foot Pad Kit
F	321807	Manual Override Plug
G	285160	Cover
H	225875	Side Plug
I	116112	Crank Handle



Power Tongue Jack

Installation and Owner's Manual

(For Aftermarket Application)

Prior to Installation

Resources Required

- Cordless or Electric Drill or Screw Gun
- Appropriate Drive Bits
- 1/2" Socket

Preparation

1. Remove the foot pad from the Power Tongue Jack (if necessary).

A. Remove the hairpin cotter pin (Fig.1D) and clevis pin (Fig.1B) holding the foot pad (Fig.1C) to the jack leg (Fig.1A). Set the pins and the foot pad aside.

2. Support the trailer according to OEM instructions.



Fig.1

⚠ WARNING

THE TRAILER MUST BE SUPPORTED PER OEM SPECIFICATIONS BEFORE WORKING UNDERNEATH. FAILURE TO DO SO MAY RESULT IN DEATH OR SERIOUS INJURY.

Installation

1. Carefully slide the jack leg (Fig.2A) through the hole in the coupler (Fig.2B) on the trailer A-frame (Fig.2C).

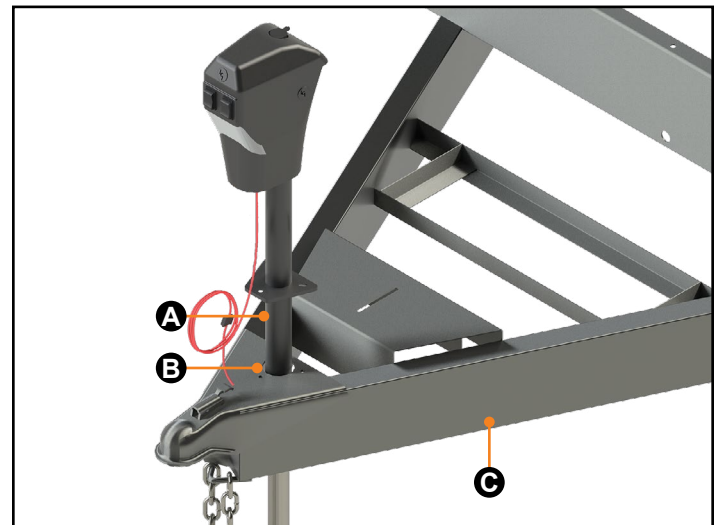


Fig.2

2. Align the three (3) holes in the Power Tongue Jack mounting plate (Fig.3A) with the three (3) holes in the coupler (Fig.3B).

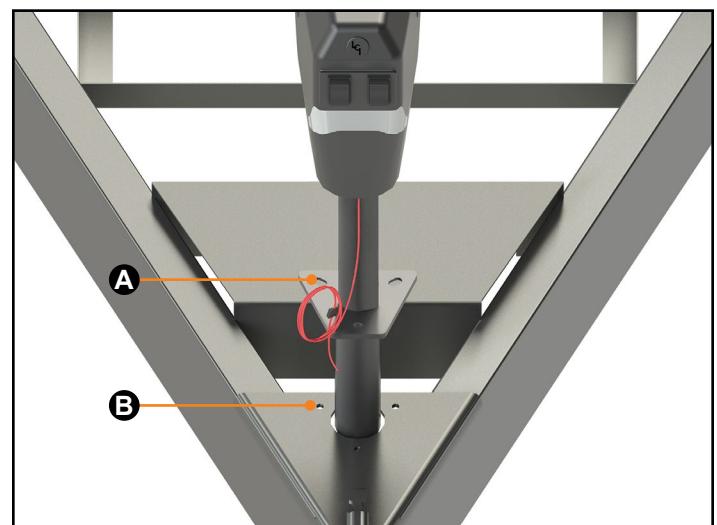


Fig.3

Power Tongue Jack

Installation and Owner's Manual

(For Aftermarket Application)

3. Secure the Power Tongue Jack to the coupler plate with the three (3) $\frac{3}{8}$ " bolts provided (Fig.4B).

4. Connect the red power wire from the Power Tongue Jack housing (Fig. 4A) to a grounded 12V power supply on the trailer.

NOTE: The Power Tongue Jack **MUST** be wired through a 30 amp fused circuit.

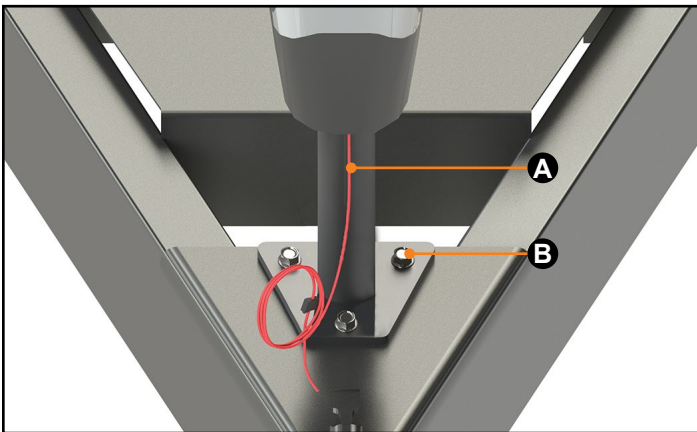


Fig.4

5. Reattach the foot pad (Fig.5C) to the jack leg (Fig.5A) by sliding the foot pad back over the bottom of the jack leg and securing it with the clevis pin (Fig.5B) and hairpin cotter pin (Fig.5D).

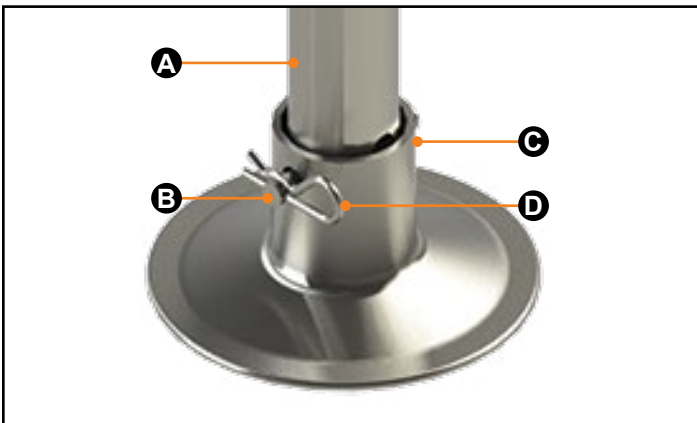


Fig.5

Prior to Operation

⚠ WARNING

**FAILURE TO FOLLOW THE GUIDELINES BELOW
MAY RESULT IN DEATH, SERIOUS PERSONAL
INJURY, OR PROPERTY DAMAGE.**

- Never allow anyone unfamiliar with this product to install, operate or service this product.
- Never lift or level the trailer without a properly installed footpad.
- Never crank the Power Tongue Jack or couple the trailer without preventing the trailer from rolling.
- Never exert excessive side forces to the Power Tongue Jack.
- Never allow anyone, including the operator, to put any body parts under the Power Tongue Jack or the supported load during jack operation.
- Never drop the trailer off the hitch ball.
- Never exceed the load capacity.
- Never use the Power Tongue Jack to lift the trailer for service or tire change.
- Never move the trailer before the Power Tongue Jack is fully retracted.
- Never use the Power Tongue Jack unless the foot pad clevis pin is fully inserted through both sides of the jack's inner tube and secured by the hairpin cotter pin.



Power Tongue Jack

Installation and Owner's Manual

(For Aftermarket Application)

Operation

NOTE: The “On” and “Off” switch (Fig.7) controls the Power Tongue Jack’s light only. If left on for an extended period of time, the light will drain the trailer’s battery.

NOTE: The Power Tongue Jack is designed for vertical movement of the trailer only.

Unhitching from Tow Vehicle

1. Chock the tires of the trailer.
2. Be sure the footpad (Fig.6B) of the Power Tongue Jack is pinned securely in place with the clevis pin (Fig.6A) and hairpin cotter pin (Fig.6C).
3. Make sure the ground surface under the Power Tongue Jack is firm and level.
4. Push “EXT” (Fig.7B) to extend the Power Tongue Jack until the footpad touches the ground and the coupler clears the hitch ball.
5. Move the tow vehicle away from the trailer.
6. Push “RET” (Fig.7A) as needed to return the front of the trailer to level.

Reconnecting to Tow Vehicle

1. Chock the tires of the trailer.
2. Press “EXT” (Fig.7B) if needed to allow the coupler to clear the hitch ball.
3. Push “RET” (Fig.7A) to retract the Power Tongue Jack until the coupler properly mounts the hitch ball and the leg of the Power Tongue Jack is fully retracted.

NOTE: Be sure the leg of the Power Tongue Jack (Fig.6B) is fully retracted prior to moving the tow vehicle.



Fig.6



Fig.7



Power Tongue Jack

Installation and Owner's Manual

(For Aftermarket Application)

Manual Operation and Troubleshooting

NOTE: If 12V DC power is unavailable to operate the Power Tongue Jack, use the following directions to manually operate the Power Tongue Jack:

Manually Unhitching from Tow Vehicle

1. Chock the tires of the trailer.
2. Be sure the footpad (Fig.8B) of the Power Tongue Jack is pinned securely in place with the clevis pin (Fig.8A) and hairpin cotter pin (Fig.8C).
3. Make sure the ground surface under the Power Tongue Jack is firm and level.
4. Open the rubber plug (Fig.9A) on top of the Power Tongue Jack's gearbox to expose the manual drive shaft.
5. Insert the manual crank handle (Fig.10).
6. Turn the handle clockwise until the trailer is supported and the coupler clears the hitch ball.
7. Move the tow vehicle away from the trailer.
8. Lower the trailer until it is level by turning the crank handle counterclockwise.
9. Remove the crank handle (Fig.10).
10. Replace the rubber plug (Fig.9A).

Manually Reconnecting to Tow Vehicle

1. Chock the tires of the trailer.
2. Be sure the footpad of the Power Tongue Jack is pinned securely with the clevis and hairpin cotter pin (Fig.8A).
3. Open the rubber plug (Fig.9A) on top of the Power Tongue Jack's gearbox to expose the manual drive shaft.
4. Insert the manual crank handle (Fig.10).
5. Turn the crank handle counterclockwise until the coupler properly mounts the hitch ball and the leg of the Power Tongue Jack is fully retracted.

NOTE: The crank handle may need to be initially turned clockwise to extend the jack to clear the hitch ball prior to retracting the jack.

6. Remove the crank handle (Fig.10).

7. Replace the rubber plug (Fig.9A).

NOTE: Be sure the leg of the Power Tongue Jack (Fig.8B) is fully retracted prior to moving the tow vehicle.

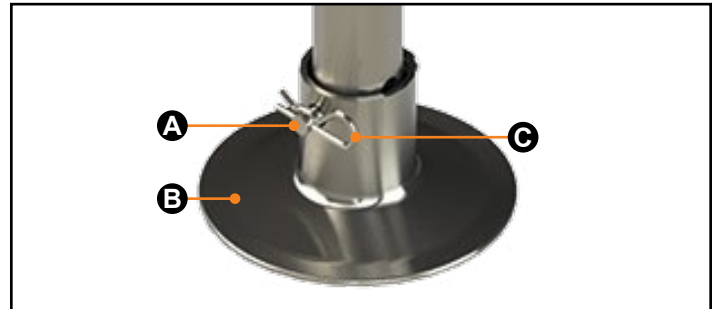


Fig.8

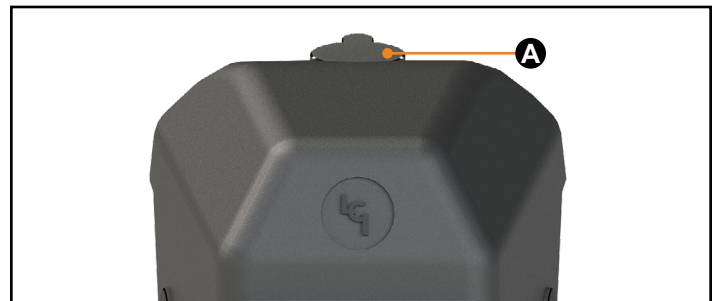


Fig.9

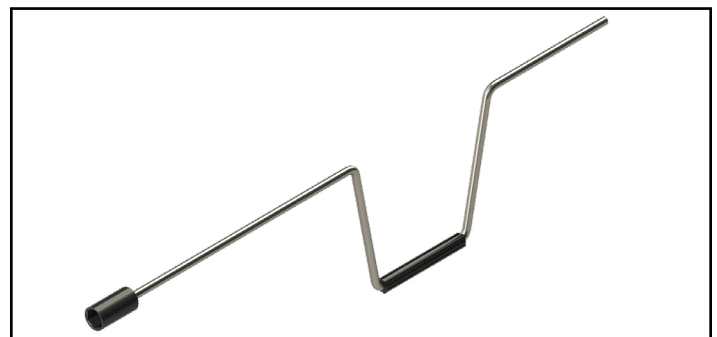


Fig.10

