



SMART JACK™
OEM INSTALLATION MANUAL

L I P P E R T
C O M P O N E N T S®

TABLE OF CONTENTS

Introduction	2
Product Information.....	2
Resources Required	2
Preparation	3
Installation	3
Operation	5
Setting Hitch Height Memory.....	5
Normal Operation.....	5
Return To Hitch Height Operation.....	5
Auto Retract.....	5

Introduction

The Smart Jack™ features a high-efficiency motor, a new streamlined plastic shroud, and a new user interface. These features, along with the single power lead and the hitch height memory, give the end user a perfect reason to replace the traditional tongue jack with a far superior product.

Safety Information

Warning, Caution and Danger symbols indicate that an installation procedure has a safety risk involved and may cause death, serious injury or property damage if not performed safely and within the parameters set forth in this manual. Always wear eye protection when performing this installation procedure. Other safety equipment to consider would be hearing protection, gloves, and possibly a full face shield, depending on the nature of the installation procedure.

WARNING

Failure to act in accordance with the following may result in death, serious injury, trailer or property damage.

WARNING

Lifting the unit off of the ground so that the unit's wheels are not touching the ground will create an unstable and unsafe condition. Severe property damage, serious injury or death could occur. Keep people and pets clear of the unit and work area while operating the leveling system.

CAUTION

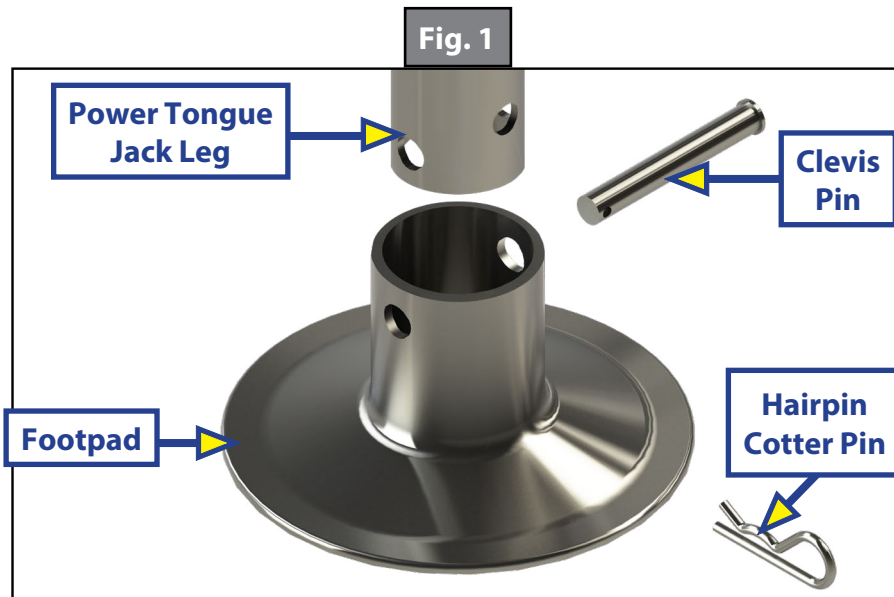
Moving parts can pinch, crush, or cut. Keep clear at all times.

Resources Required

- Cordless or electric drill or screw gun
- Appropriate drive bits
- ½" socket wrench

Preparation

1. Make sure trailer is parked on level ground.
2. Chock all tires.
3. Support trailer according to OEM recommendations.
4. If necessary, remove footpad from the Smart Jack's Power Tongue Jack leg (Fig. 1).
 - A. Remove hairpin cotter pin and clevis pin holding the footpad in place.
 - B. Set the pins and footpad aside.

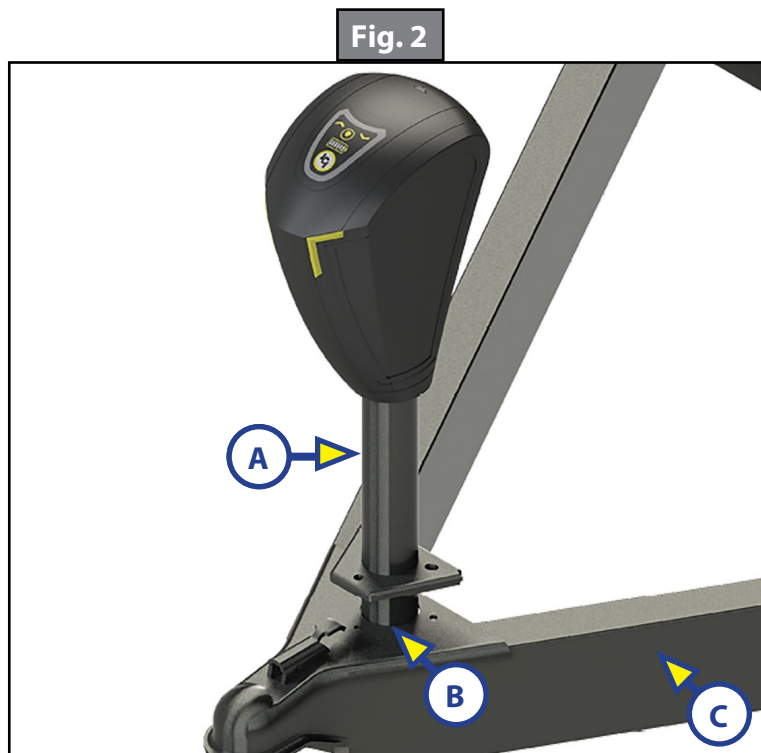


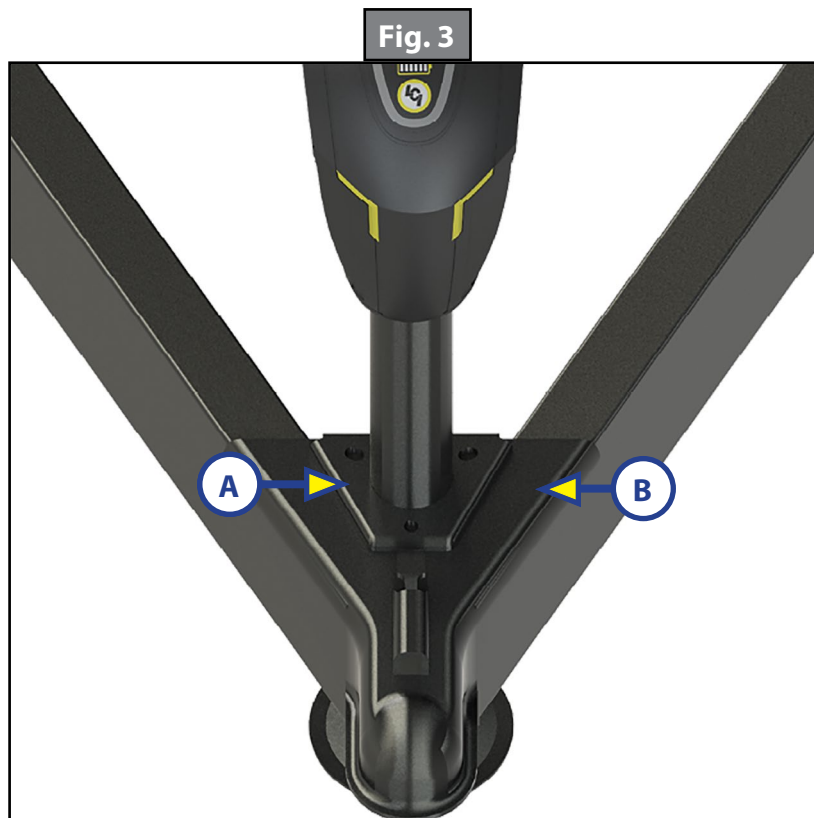
Installation

⚠ WARNING

**The trailer MUST be supported per OEM recommendations before working underneath.
Failure to do so may result in death or serious injury.**

1. Carefully slide the jack leg (Fig. 2A) through the hole in the coupler (Fig. 2B) on the trailer A-frame (Fig. 2C).





2. Align the 3 holes in the Smart Jack mounting plate (Fig. 3A) with the 3 holes in the coupler (Fig. 3B).
3. Secure the Smart Jack to the coupler with three $\frac{3}{8}$ " - 16 x 1" serrated flange grade 5 zinc coated bolts (Fig. 4A).
4. Connect the red power wire from the Smart Jack housing to a grounded 12V power supply on the trailer.

NOTE: The Smart Jack **MUST** be wired with a 30 amp in-line fused circuit.

5. Reattach the footpad to the jack leg by sliding the footpad back over the bottom of the jack leg and securing it with the previously-removed clevis pin and hairpin cotter pin.

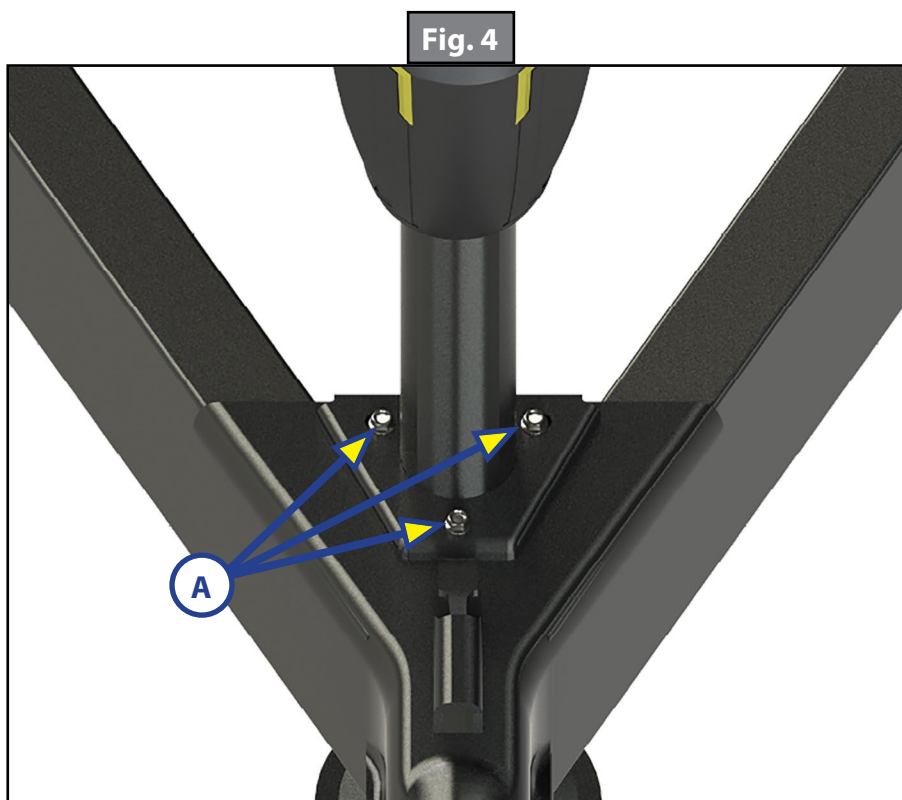
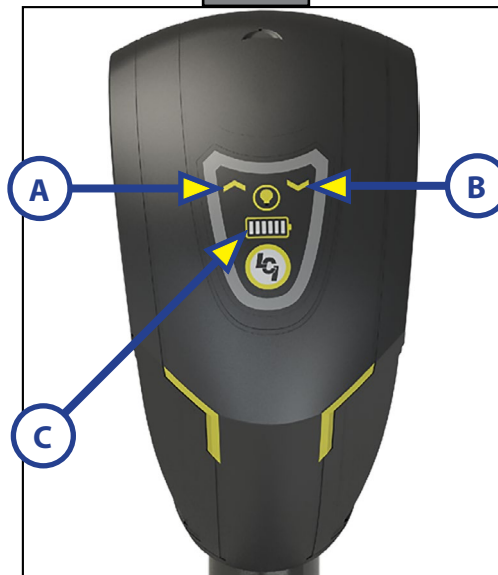


Fig. 5



Operation

NOTE: The hitch height **MUST** be set in the memory prior to the normal operation of the Smart Jack. Failure to do so will cause the Smart Jack and the trailer to not function as intended.

NOTE: To cancel an action, press either the up arrow or down arrow (Fig. 5A or 5B). The action in progress will stop.

Setting Hitch Height Memory

1. Press and hold the up arrow (Fig. 5A) and down arrow (Fig. 5B) at the same time for a minimum of 5 seconds to store the vertical position of the Smart Jack.
2. The battery indicator lights (Fig. 5C) will all flash 5 times to show that the new position is successfully stored in memory.

Normal Operation

1. Press and hold the up arrow (Fig. 5A) to extend the Smart Jack.
2. Press and hold the down arrow (Fig. 5B) to retract the Smart Jack.

Return To Hitch Height Operation

1. Press and release the up arrow (Fig.5A) and the down arrow (Fig.5B) at the same time 3 times, holding on the 3rd time for several seconds until the jack engages and the indicator light oscillates back and forth.
2. The jack will automatically retract or extend to the original hitch height position.

NOTE: Visual indication that the jack is actuating to the hitch height is seen through the oscillation of the battery indicator lights (Fig.5C): e.g. lights will illuminate left to right, and then right to left. This will continue until the original hitch height is achieved.

NOTE: To cancel an action, press either the up arrow or down arrow. The action in process will stop.

Auto Retract Operation

NOTE: This function should only be operated once the tow vehicle has been reconnected and secured to the trailer prior to travel.

1. Press and release the down arrow (Fig. 5B) 3 times, holding on the 3rd time until the jack engages and the indicator light oscillates back and forth.



L I P P E R T C O M P O N E N T S®

The contents of this manual are proprietary and copyright protected by Lippert Components, Inc. ("LCI"). LCI prohibits the copying or dissemination of portions of this manual unless prior written consent from an authorized LCI representative has been provided. Any unauthorized use shall void any applicable warranty. The information contained in this manual is subject to change without notice and at the sole discretion of LCI.

Revised editions are available for free download from lci1.com.

Please recycle all obsolete materials.

For all concerns or questions, please contact
Lippert Components, Inc.

Ph: (574) 537-8900 | Web: lci1.com | Email: customerservice@lci1.com