



**POWER TONGUE JACK
OEM INSTALLATION MANUAL**

L I P P E R T
C O M P O N E N T S[®]

Safety and System Information

Safety Information

⚠️ WARNING

The “WARNING” symbol above is a sign that an installation procedure has a safety risk involved and may cause death or serious injury if not performed safely and within the parameters set forth in this manual. Always wear eye protection when performing this installation procedure. Other safety equipment to consider would be hearing protection, gloves, and possibly a full face shield, depending on the nature of the installation procedure.

This manual provides general service and maintenance procedures. Many variables can change the circumstances of the service procedure, i.e., the degree of difficulty involved in the service operation and the ability level of the individual performing the operation. This manual cannot begin to plot out procedures for every possibility, but will provide the general instructions for effectively servicing the vehicle. In the event the skill level required is too high or the procedure too difficult, a certified technician should be consulted before performing the necessary service. Failure to correctly service the vehicle may result in death, serious injury or property damage.

The owner’s manual for the trailer may have more procedures for service and maintenance.

⚠️ WARNING

Failure to act in accordance with the following may result in death, serious injury, trailer or property damage.

⚠️ CAUTION

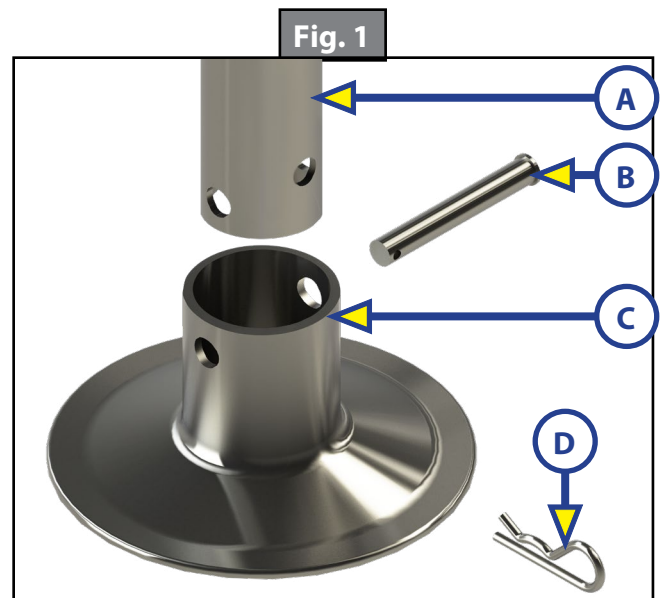
Moving parts can pinch, crush, or cut. Keep clear at all times.

Resources Required

- Cordless or Electric Drill or Screw Gun
- Appropriate Drive Bits
- ½" Socket

Preparation

1. Remove the footpad from the Power Tongue Jack (if necessary).
 - A. Remove the hairpin cotter pin (Fig.1D) and clevis pin (Fig. 1B) holding the footpad (Fig. 1C) to the jack leg (Fig. 1A). Set the pins and the footpad aside.
2. Support the trailer according to OEM instructions.



⚠️ WARNING

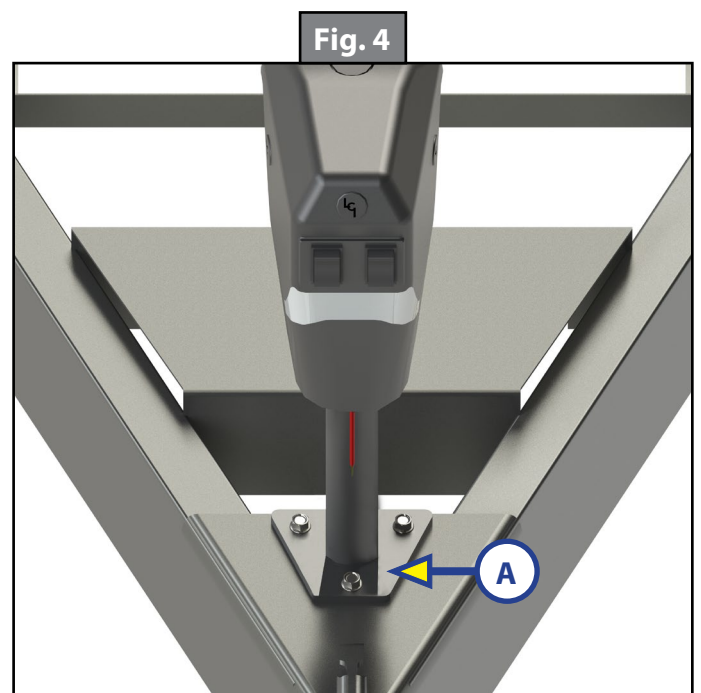
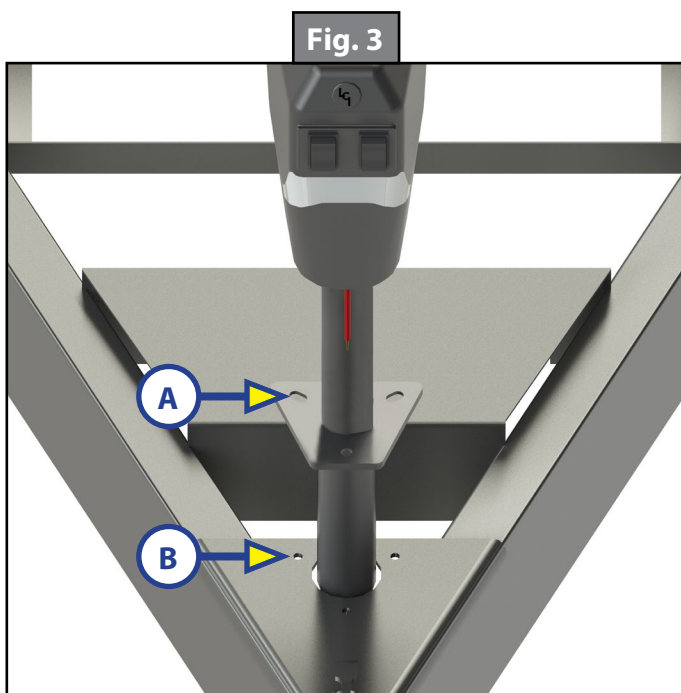
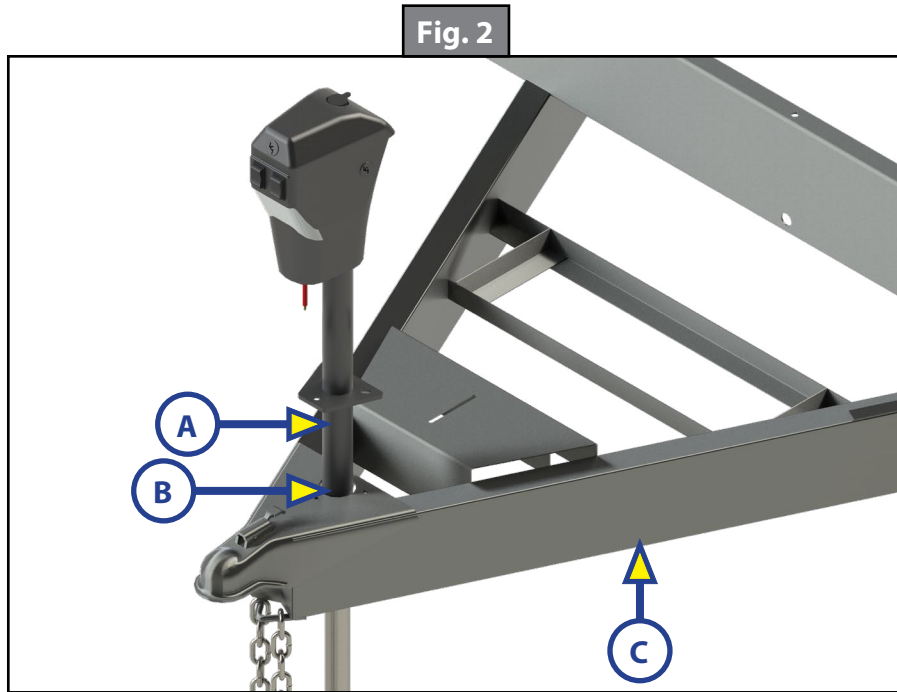
The trailer MUST be supported per OEM specifications before working underneath. Failure to do so may result in death or serious injury.

Installation

1. Carefully slide the jack leg (Fig. 2A) through the hole in the coupler (Fig. 2B) on the trailer A-frame (Fig. 2C).
2. Align the three (3) holes in the Power Tongue Jack mounting plate (Fig. 3A) with the three (3) holes in the coupler (Fig. 3B).
3. Secure the Power Tongue Jack to the coupler plate with the three (3) bolts provided (Fig. 4).
4. Connect the red power wire from the Power Tongue Jack housing (Fig. 4A) to a grounded 12V power supply on the trailer.

NOTE: The Power Tongue Jack **MUST** be wired through a 30 amp fused circuit.

5. Reattach the footpad to the jack leg by sliding the foot pad back over the bottom of the jack leg and securing it with the clevis pin and hairpin cotter pin previously removed (Fig. 1).





L I P P E R T C O M P O N E N T S®

The contents of this manual are proprietary and copyright protected by Lippert Components, Inc. ("LCI"). LCI prohibits the copying or dissemination of portions of this manual unless prior written consent from an authorized LCI representative has been provided. Any unauthorized use shall void any applicable warranty. The information contained in this manual is subject to change without notice and at the sole discretion of LCI.

Revised editions are available for free download from lci1.com.

Please recycle all obsolete materials.

For all concerns or questions, please contact
Lippert Components, Inc.

Ph: (574) 537-8900 | Web: lci1.com | Email: customerservice@lci1.com