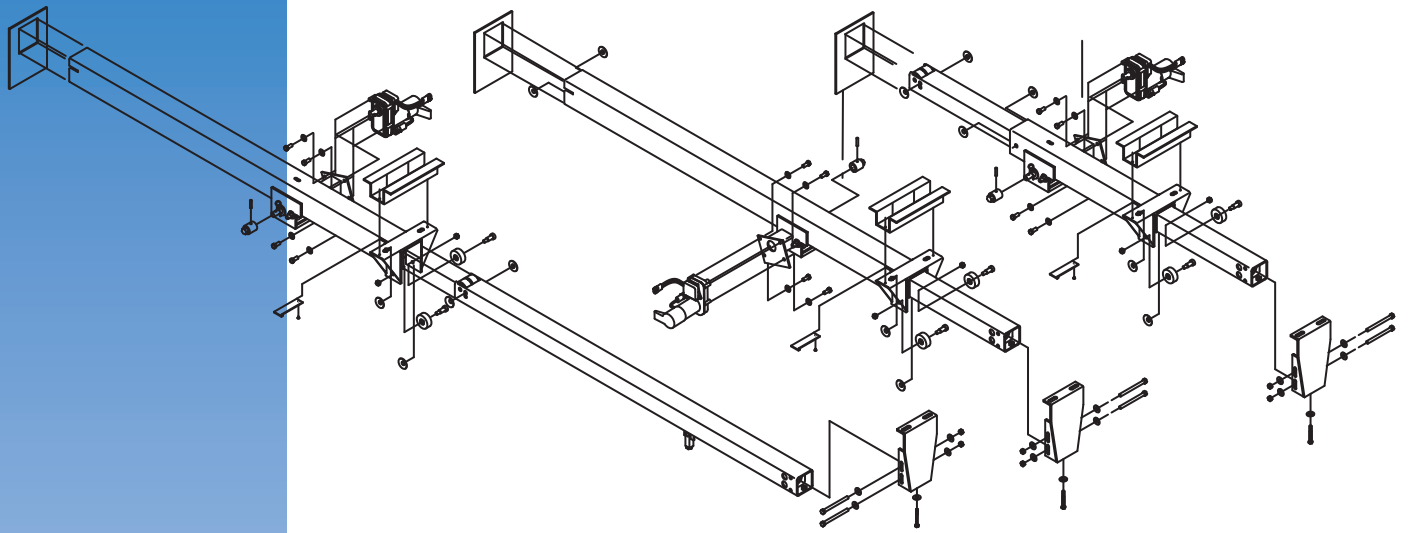




Operators Manual Full Wall Slide Systems



CONTENTS

	<i>Page</i>
<i>Major Components</i>	2
<i>Full Wall Slide System Operation</i>	
<i>Extending the Room</i>	2
<i>Retracting the Room</i>	2
<i>Manual Override</i>	3
<i>Parts List</i>	3
<i>Troubleshooting Guide</i>	4

WARNING

ALWAYS MAKE SURE THAT THE SLIDEOUT ROOM PATH IS CLEAR OF PEOPLE AND OBJECTS BEFORE AND DURING OPERATION OF THE SLIDEOUT ROOM.

ALWAYS KEEP AWAY FROM THE SLIDE RAILS WHEN THE ROOM IS BEING OPERATED. THE GEAR ASSEMBLY MAY PINCH OR CATCH ON LOOSE CLOTHING CAUSING PERSONAL INJURY.

INSTALL TRANSIT BARS (IF SO EQUIPPED) ON THE SLIDEOUT ROOM DURING STORAGE AND TRANSPORTATION.

MAJOR COMPONENTS

Inner rail assemblies are designed to support the room weight.

The 12Volt DC gearmotors will operate the room using power from the on-board unit battery.

Slideout systems are equipped with a manual override that allows you to extend / retract the room in the event of a loss of power.

A specially designed control that gives the user full control of room movement, in or out. The control has a load sensing capability that stops the motor when the room is fully extended or retracted.

FULL WALL SLIDE SYSTEM OPERATION**EXTENDING THE ROOM**

1. Level the unit.
2. Verify the battery is fully charged and hooked-up to the electrical system.
3. Remove the transit bars (if so equipped).
4. Turn 'ON' the on/off switch or key (if so equipped).
5. Press and hold the IN/OUT switch in the OUT position until the room is fully extended and stops moving.
6. Release the switch, which will lock the room into position. **NOTE:** *If the slideout switch is held after the room is fully extended, the control will sense that the room has stopped and will shut off the motor after a few seconds.*
7. Turn 'OFF' the on/off switch or key (if so equipped).

RETRACTING THE ROOM

1. Verify the battery is fully charged and hooked-up to the electrical system.
2. Turn 'ON' the on/off switch or key (if so equipped).
3. Press and hold the 'IN/OUT' switch in the 'IN' position until the room is fully retracted and stops moving.
4. Release the switch, which will lock the room into position. **NOTE:** *If the slideout switch is held after the room is fully retracted, the control will sense that the room has stopped and will shut off the motor after a few seconds.*
5. Turn 'OFF' the on/off switch or key (if so equipped).
6. Install the transit bars (if so equipped).

NOTE: If only one or two people are available to move the room the following procedure must be followed:

- Start at the front of the coach, release the motor brake, rotate that shaft approximately 1/8 turn, re-apply the motor brake.
- Proceed to the center rail. Release the motor brake, rotate that shaft approximately 1/8 turn, re-apply the motor brake.
- Proceed to the rear rail. Release the motor brake, rotate that shaft approximately 1/8 turn, re-apply the motor brake.
- Return to the front rail. Repeat this procedure in the above order until the room has been fully opened or closed as desired.

MANUAL OVERRIDE

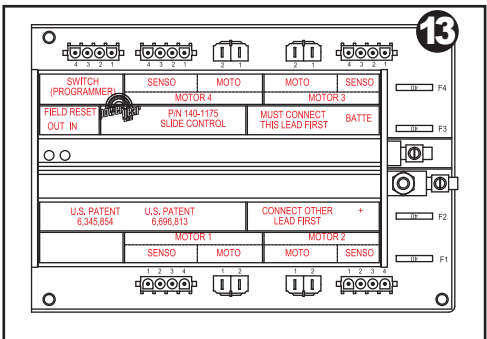
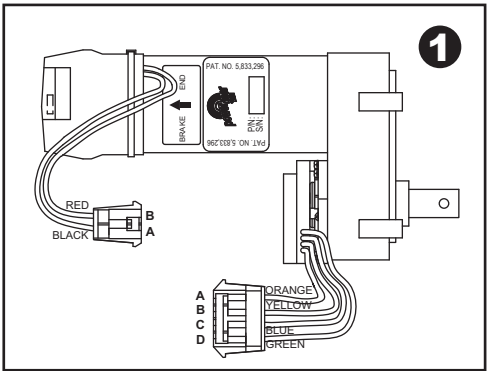
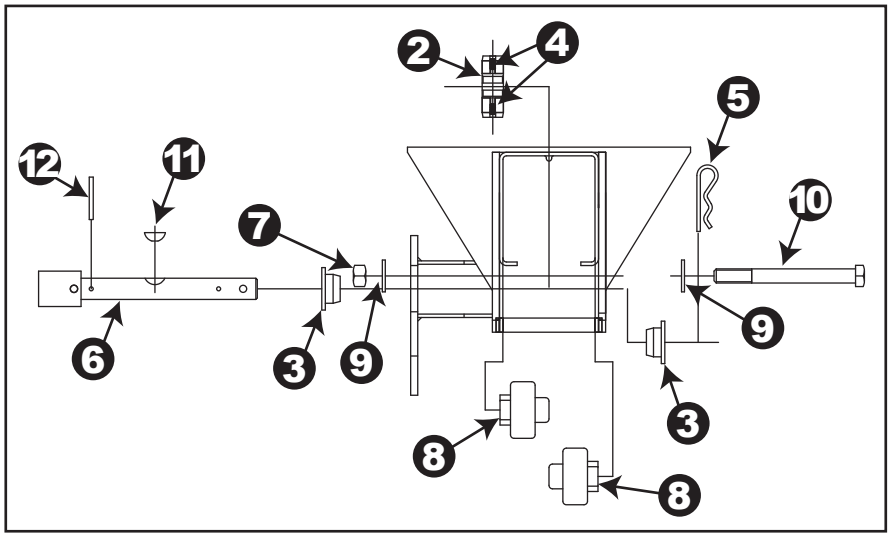
In the event of battery / power failure or some other loss of system power, your Full Wall Slide System can be manually operated. It has been equipped with mechanical override couplers on each keyed shaft assy. for your use. Due to the size and weight of the room, assistance will be needed and care taken during the process. Use the following steps to mechanically operate the room:

1. Unplug each motor near the motor.
2. Disengage each motor brake by pushing the rubber boots in the direction indicated on the decal to the "disengaged" position (counter clockwise as observed from the boot end of the motor). A metal lever within the boot will "pop" into position.
3. If enough people are available and wrenches for each shaft are available, the room can be moved in or out quickly as long as all shafts are turned at the same time. Use a wrench or socket and ratchet to turn each keyed shaft in the direction required.

WARNING After the room has been moved in the desired direction, the brake levers on each motor **MUST** be returned to the "engaged" position. When the motor brake is disengaged the slideout room will not lock into place; therefore, the room will not be sealed. When the room has been manually retracted, be sure to install the transit bars (if so equipped) and return the motor brake lever to its normal engaged position in order to seal and lock the room into position. Do not travel unless each motor brake is in the "engaged" position!

WARNING Do not attempt to use the room again until a service center has re-set the computerized controller according to the service manuals instructions. Failure to reset the controller may cause damage to the system or coach.

PARTS LIST



(1) 524120	Motor Assembly	(10) 15-1130	Bolt HD 1/2 13x5
(2) 250-0005	Spur Gear	(11) 521336	Woodruff Key
(3) 510036	Sleeve Bearing	(12) 10-1036	Pin .014x1.25
(4) 15-1412	Set Screw	(13) 140-1175	Control
(5) 18-1032	Clip Pin		
(6) 524035	Keyed Shaft	540066	Hex Override Coupler
(7) 15-1131	Nut 1/2 13		
(8) 520014	Outer Roller		
(9) 16-1034	Washer Flat		

TROUBLESHOOTING GUIDE

Description of Problem	Solution
Motors will not run.	Check all connections.
	Check fuse (F1-F2-F3-F4.)
	Check that harnesses are connected to proper plug.
Room does not stop going out.	Need to reprogram out stops. Take coach to service dealer.
Room does not stop coming in.	Need to reprogram in stops. Take coach to service dealer.
Room "skips" when coming in or out.	Check for proper room height setting. Check for damaged gears or rail teeth. Take coach to service dealer.
Room seems "weak." Room will not fully open or close.	Check batteries.
	Check for excessive weight in slide system or storage bins.
Room makes noise/squeaks during travel.	Lubricate keyed shaft, rollers, and sleeve bearings with penetrating spray lubricant.