

# POWER GEAR SLIDE OUT SYSTEM GEAR IDENTIFICATION


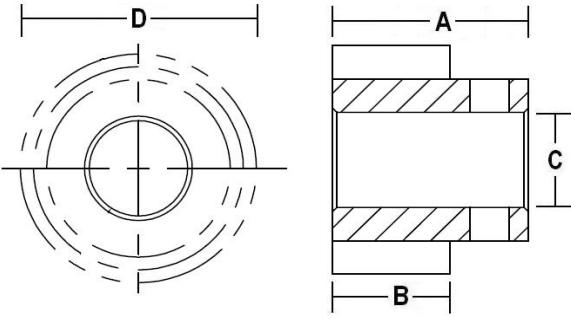
1. Count the number of teeth on the gear. Include any that may be broken off.
2. The gears are listed by by tooth count, from lowest to highest. Start by locating all the gears with the same tooth count as yours.
3. Next, determine how your gear is attached to the gear shaft.
  - a. Gears that use a woodruff key will have a deeper keyway cut into the inner diameter of the gear to accept the woodruff key.
  - b. Gears that use a set screw will have a threaded hole through the gear
  - c. Gears that use a coiled pin will have a smooth hole bored through the gear
4. Measure the A, B, C, and D measurements as shown in the pictures. **A fraction to decimal conversion chart is below for your reference.**
5. Match the gear by tooth count, attachment method, and then by measurement.

Fraction	Decimal
1/16	.625
1/8	.125
3/16	.187
1/4	.25
5/16	.312
3/8	.375
7/16	.437
1/2	.50
9/16	.562
5/8	.625
11/16	.687
3/4	.75
13/16	.812
7/8	.875
15/16	.9375


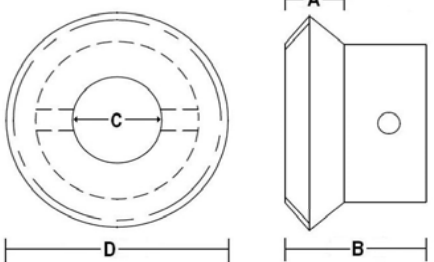
<b>Gear to Shaft Attachment Method:</b>					<b>A:</b> 0.75
Coiled pin					<b>B:</b> 0.75
	<b>Part No.</b>	<b>Lenth</b>	<b>Diameter</b>	<b>C:</b> 0.50	
	18-1034	1.50	0.18	<b>D:</b> 1.17	
	18-1038	1.20	0.25	<b>No. of Teeth</b>	
	18-1039	1.50	0.25	<b>12</b>	
<b>GEAR PART NUMBER:</b> 530026					

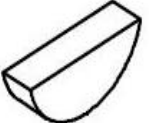
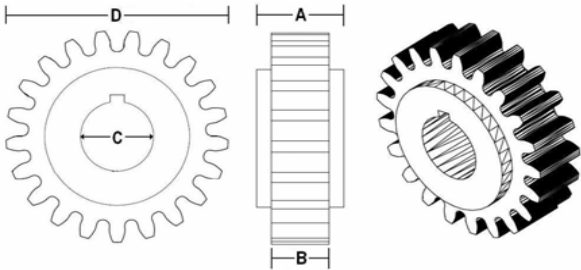
<b>Gear to Shaft Attachment Method:</b>					<b>A:</b> 0.75										
					<b>B:</b> 1.25										
<table border="1"> <thead> <tr> <th>Part No.</th> <th>Lenth</th> <th>Diameter</th> </tr> </thead> <tbody> <tr><td> </td><td> </td><td> </td></tr> <tr><td> </td><td> </td><td> </td></tr> <tr><td> </td><td> </td><td> </td></tr> </tbody> </table>	Part No.	Lenth	Diameter												<b>C:</b> 0.50
	Part No.	Lenth	Diameter												
			<b>D:</b> 1.17												
<b>GEAR PART NUMBER:</b> 3010001540				<b>No. of Teeth</b>											
				<b>14</b>											

<b>Gear to Shaft Attachment Method:</b>					<b>A:</b> 0.69
Woodruff Key					<b>B:</b> 0.69
	<b>Part No.</b>	<b>Lenth</b>	<b>Width</b>	<b>C:</b> 0.63	
	DN13028	0.49	0.13	<b>D:</b> 1.42	
				<b>No. of Teeth</b>	
				<b>15</b>	
<b>GEAR PART NUMBER:</b> DN12721					

Gear to Shaft Attachment Method:															
Coiled pin															
	Part No.	Lenth	Diameter												
	18-1034	1.50	0.18												
	18-1038	1.20	0.25												
	18-1039	1.50	0.25												
															
GEAR PART NUMBER: <b>540061</b>															
<table border="1"> <tr><td>A:</td><td>1.25</td></tr> <tr><td>B:</td><td>0.75</td></tr> <tr><td>C:</td><td>0.62</td></tr> <tr><td>D:</td><td>1.50</td></tr> <tr><td colspan="2">No. of Teeth</td></tr> <tr><td colspan="2"><b>16</b></td></tr> </table>				A:	1.25	B:	0.75	C:	0.62	D:	1.50	No. of Teeth		<b>16</b>	
A:	1.25														
B:	0.75														
C:	0.62														
D:	1.50														
No. of Teeth															
<b>16</b>															

**This gear is OBSOLETE.  
There is no current  
replacement available.**

Gear to Shaft Attachment Method:															
Coiled Pin															
	Part No.	Lenth	Width												
	18-1034	1.50	0.18												
	18-1038	1.20	0.25												
	18-1039	1.50	0.25												
															
GEAR PART NUMBER: <b>521129</b>															
<table border="1"> <tr><td>A:</td><td>0.50</td></tr> <tr><td>B:</td><td>1.19</td></tr> <tr><td>C:</td><td>0.75</td></tr> <tr><td>D:</td><td>1.87</td></tr> <tr><td colspan="2">No. of Teeth</td></tr> <tr><td colspan="2"><b>21</b></td></tr> </table>				A:	0.50	B:	1.19	C:	0.75	D:	1.87	No. of Teeth		<b>21</b>	
A:	0.50														
B:	1.19														
C:	0.75														
D:	1.87														
No. of Teeth															
<b>21</b>															


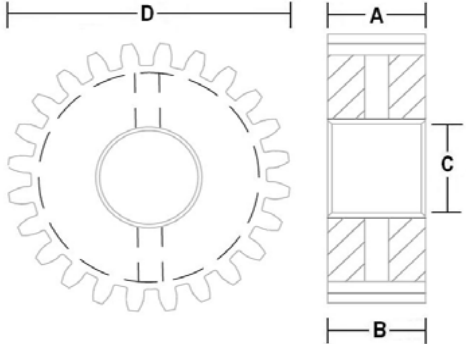
Gear to Shaft Attachment Method:															
Woodruff Key															
	Part No.	Lenth	Width												
	DN13028	0.49	0.13												
															
GEAR PART NUMBER: <b>250-0000</b>															
<table border="1"> <tr><td>A:</td><td>0.75</td></tr> <tr><td>B:</td><td>0.50</td></tr> <tr><td>C:</td><td>0.62</td></tr> <tr><td>D:</td><td>1.92</td></tr> <tr><td colspan="2">No. of Teeth</td></tr> <tr><td colspan="2"><b>21</b></td></tr> </table>				A:	0.75	B:	0.50	C:	0.62	D:	1.92	No. of Teeth		<b>21</b>	
A:	0.75														
B:	0.50														
C:	0.62														
D:	1.92														
No. of Teeth															
<b>21</b>															

**This gear is OBSOLETE. It  
is replaced with gear  
number DN13747**


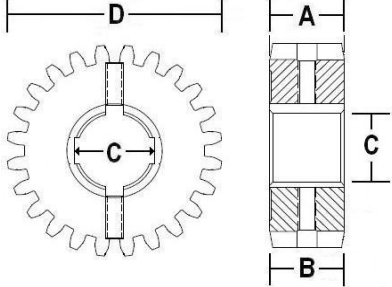
<b>Gear to Shaft Attachment Method:</b>					<b>A:</b> 0.75
Woodruff Key					<b>B:</b> 0.50
	<b>Part No.</b>	<b>Length</b>	<b>Width</b>		<b>C:</b> 0.62
	DN13028	0.49	0.13	<b>D:</b> 1.92	
				<b>No. of Teeth</b>	
				<b>21</b>	
<b>GEAR PART NUMBER:</b> DN13747					


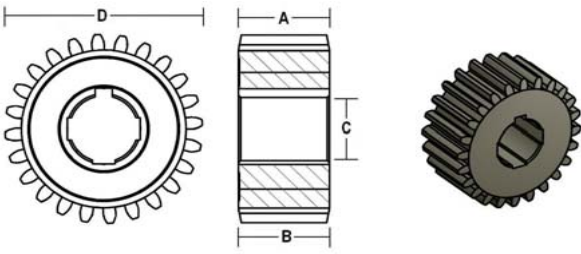
<b>Gear to Shaft Attachment Method:</b>					<b>A:</b> 1.25
Coiled Pin					<b>B:</b> 0.75
	<b>Part No.</b>	<b>Length</b>	<b>Width</b>		<b>C:</b> 0.75
	18-1034	1.50	0.18	<b>D:</b> 2.17	
	18-1038	1.20	0.25	<b>No. of Teeth</b>	
	18-1039	1.50	0.25	<b>24</b>	
<b>GEAR PART NUMBER:</b> 510104					

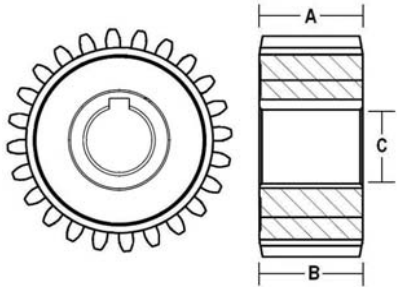
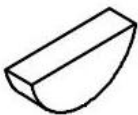
<b>Gear to Shaft Attachment Method:</b>					<b>A:</b> 0.75
Two Set Screws and woodruff key					<b>B:</b> 0.75
	<b>Part No.</b>	<b>Length</b>	<b>Thread</b>		<b>C:</b> 0.75
	15-1412	0.38	#10-32UNF	<b>D:</b> 2.17	
	<b>Part No.</b>	<b>Length</b>	<b>Width</b>	<b>No. of Teeth</b>	
Set Screw 15-1412	521336	0.75	0.18	<b>24</b>	
<b>GEAR PART NUMBER:</b> 522480					

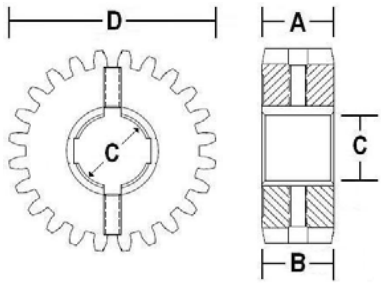
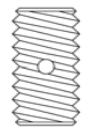
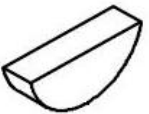
Gear to Shaft Attachment Method:			
Coiled pin			
	Part No.	Lenth	Diameter
	18-1034	1.50	0.18
	18-1038	1.20	0.25
	18-1039	1.50	0.25
			
GEAR PART NUMBER: <b>530021</b>			
A:		0.75	
B:		0.75	
C:		0.75	
D:		2.17	
No. of Teeth		<b>24</b>	

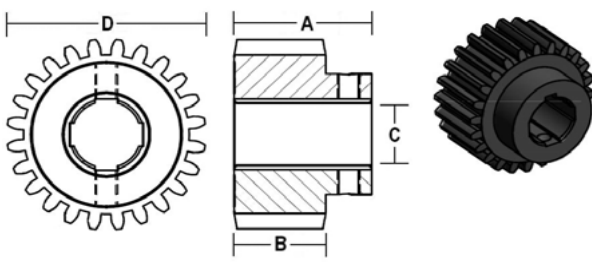
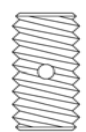
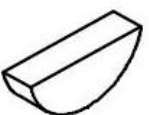
**This gear is OBSOLETE. It can be replaced with Part No. 250-0005. The shaft must be turned one 1/4 turn and mill two flat spots on opposite sides of shaft to accept the two new set screws on new gear.**


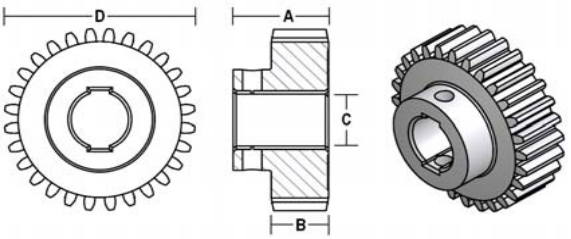
Gear to Shaft Attachment Method:			
Coild Pin			
	Part No.	Lenth	Width
	18-1034	1.50	0.18
	18-1038	1.20	0.25
	18-1039	1.50	0.25
			
GEAR PART NUMBER: <b>530035</b>			
A:		0.75	
B:		0.75	
C:		0.75	
D:		2.17	
No. of Teeth		<b>24</b>	

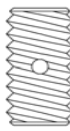
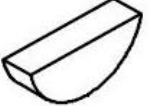
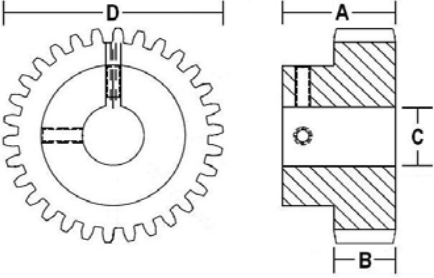
Gear to Shaft Attachment Method:			
Woodruff Key			
	Part No.	Lenth	Width
	521336	0.75	0.18
			
GEAR PART NUMBER: <b>3010000400</b>			
A:		1.00	
B:		1.00	
C:		0.75	
D:		2.17	
No. of Teeth		<b>24</b>	


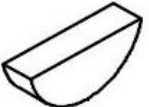
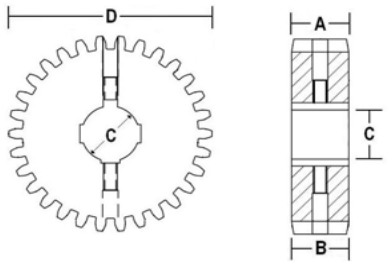
<b>Gear to Shaft Attachment Method:</b>					<b>A:</b>	0.75
Woodruff Key					<b>B:</b>	0.75
<b>Part No.</b>	<b>Length</b>	<b>Width</b>			<b>C:</b>	0.63
521336	0.75	0.18			<b>D:</b>	2.17
					<b>No. of Teeth</b>	
					<b>24</b>	
<b>GEAR PART NUMBER:</b>				250-0001		

<b>Gear to Shaft Attachment Method:</b>					<b>A:</b>	1.00
Set screw with Woodruff Key					<b>B:</b>	1.00
	<b>Part No.</b>	<b>Length</b>	<b>Thread</b>		<b>C:</b>	0.75
	15-1412	0.38	#10-32UNF		<b>D:</b>	2.17
	<b>Part No.</b>	<b>Length</b>	<b>Width</b>		<b>No. of Teeth</b>	
	521336	0.75	0.18		<b>24</b>	
Set Screw 15-1412	 Woodruff Key 521336				<b>24</b>	
<b>GEAR PART NUMBER:</b>				250-0005		

<b>Gear to Shaft Attachment Method:</b>					<b>A:</b>	1.50
Set screw with Woodruff Key					<b>B:</b>	1.00
	<b>Part No.</b>	<b>Length</b>	<b>Thread</b>		<b>C:</b>	0.75
	15-1412	0.38	#10-32UNF		<b>D:</b>	2.17
	<b>Part No.</b>	<b>Length</b>	<b>Width</b>		<b>No. of Teeth</b>	
	521336	0.75	0.18		<b>24</b>	
Set Screw 15-1412	 Woodruff Key 521336				<b>24</b>	
<b>GEAR PART NUMBER:</b>				250-0010		

Gear to Shaft Attachment Method:															
Coiled Pin															
	Part No.	Length	Width												
	18-1034	1.50	0.18												
	18-1038	1.20	0.25												
	18-1039	1.50	0.25												
															
<b>GEAR PART NUMBER: 250-0011</b>															
<table border="1"> <tr><td><b>A:</b></td><td>0.75</td></tr> <tr><td><b>B:</b></td><td>1.25</td></tr> <tr><td><b>C:</b></td><td>0.75</td></tr> <tr><td><b>D:</b></td><td>2.50</td></tr> <tr><td colspan="2"><b>No. of Teeth</b></td></tr> <tr><td colspan="2" style="text-align: center;"><b>28</b></td></tr> </table>				<b>A:</b>	0.75	<b>B:</b>	1.25	<b>C:</b>	0.75	<b>D:</b>	2.50	<b>No. of Teeth</b>		<b>28</b>	
<b>A:</b>	0.75														
<b>B:</b>	1.25														
<b>C:</b>	0.75														
<b>D:</b>	2.50														
<b>No. of Teeth</b>															
<b>28</b>															

Gear to Shaft Attachment Method:															
Set screw with Woodruff Key															
	Part No.	Length	Thread												
	15-1412	0.38	#10-32UNF												
	Part No.	Length	Width												
	521336	0.75	0.18												
Set Screw 15-1412	 Woodruff Key 521336														
															
<b>GEAR PART NUMBER: 521337</b>															
<table border="1"> <tr><td><b>A:</b></td><td>0.75</td></tr> <tr><td><b>B:</b></td><td>1.38</td></tr> <tr><td><b>C:</b></td><td>0.75</td></tr> <tr><td><b>D:</b></td><td>2.67</td></tr> <tr><td colspan="2"><b>No. of Teeth</b></td></tr> <tr><td colspan="2" style="text-align: center;"><b>30</b></td></tr> </table>				<b>A:</b>	0.75	<b>B:</b>	1.38	<b>C:</b>	0.75	<b>D:</b>	2.67	<b>No. of Teeth</b>		<b>30</b>	
<b>A:</b>	0.75														
<b>B:</b>	1.38														
<b>C:</b>	0.75														
<b>D:</b>	2.67														
<b>No. of Teeth</b>															
<b>30</b>															

Gear to Shaft Attachment Method:															
Set screw with Woodruff Key															
	Part No.	Length	Thread												
	15-1412	0.38	#10-32UNF												
	Part No.	Length	Width												
	521336	0.75	0.18												
Set Screw 15-1412	 Woodruff Key 521336														
															
<b>GEAR ASSY PART NUMBER: 521668 gear w/ set screws</b>															
<b>GEAR PART NUMBER: 521395</b>															
<table border="1"> <tr><td><b>A:</b></td><td>0.75</td></tr> <tr><td><b>B:</b></td><td>0.75</td></tr> <tr><td><b>C:</b></td><td>0.75</td></tr> <tr><td><b>D:</b></td><td>2.67</td></tr> <tr><td colspan="2"><b>No. of Teeth</b></td></tr> <tr><td colspan="2" style="text-align: center;"><b>30</b></td></tr> </table>				<b>A:</b>	0.75	<b>B:</b>	0.75	<b>C:</b>	0.75	<b>D:</b>	2.67	<b>No. of Teeth</b>		<b>30</b>	
<b>A:</b>	0.75														
<b>B:</b>	0.75														
<b>C:</b>	0.75														
<b>D:</b>	2.67														
<b>No. of Teeth</b>															
<b>30</b>															

<b>Gear to Shaft Attachment Method:</b>					<b>A:</b> 0.75
Coiled Pin					<b>B:</b> 0.75
	<b>Part No.</b>	<b>Length</b>	<b>Width</b>	<b>C:</b> 0.75	<b>D:</b> 2.67
	18-1034	1.50	0.18	<b>No. of Teeth</b>	
	18-1038	1.20	0.25		
	18-1039	1.50	0.25		
				<b>GEAR PART NUMBER:</b> 530025	<b>30</b>

<b>Gear to Shaft Attachment Method:</b>					<b>A:</b> 0.50
Coiled Pin					<b>B:</b> 0.50
	<b>Part No.</b>	<b>Length</b>	<b>Width</b>	<b>C:</b> 0.75	<b>D:</b> 2.67
	18-1034	1.50	0.18	<b>No. of Teeth</b>	
	18-1038	1.20	0.25		
	18-1039	1.50	0.25		
				<b>GEAR PART NUMBER:</b> 532036	<b>30</b>

<b>Gear to Shaft Attachment Method:</b>					<b>A:</b> 0.75
Set screw with Woodruff Key					<b>B:</b> 0.50
	<b>Part No.</b>	<b>Length</b>	<b>Thread</b>	<b>C:</b> 0.75	<b>D:</b> 2.67
	15-1412	0.38	#10-32UNF	<b>No. of Teeth</b>	
	<b>Part No.</b>	<b>Length</b>	<b>Width</b>		
521336	0.75	0.18	<b>30</b>		
Set Screw 15-1412	Woodruff Key 521336	<b>GEAR ASSY PART NUMBER:</b> 532129 gear w/ set screws			
				<b>GEAR PART NUMBER:</b> 250-0004 gear only	