



Step Repair Kit's
#909538000 &
#909538100

© Copyright Power Gear Issued: October, 1999

#1420215, Rev. 0A, 9/12

CAUTION

Support step frame because parts can drop when step rivet is removed. Use caution to keep fingers and hands from being pinched.

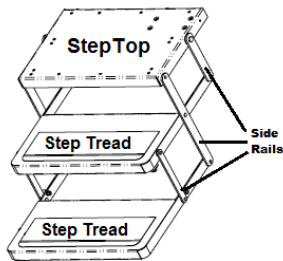


Figure 1 Frame components

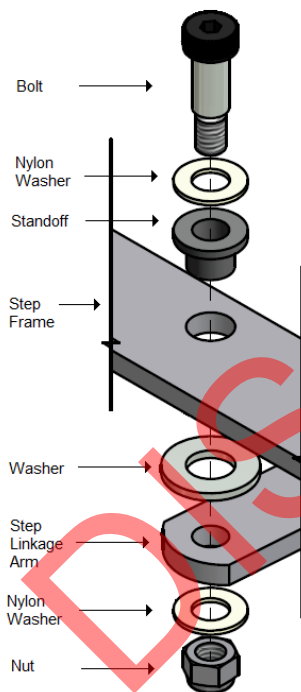


Figure 5 Parts locations

Read, understand, and follow all instructions in this document before starting!

Repair kits for 22, 23, 30, 32, 33, 34, 35, 38, 40 and Revolution Series steps.

- Use 3/4" step frame repair kit #909538000 for side rails to step tread connections. (See Figure 1)
- Use 5/8" step frame repair kit #909538100 for side rails to step top connections. (See Figure 1)

NOTE: These kits are for non-warranty repairs. If step is under warranty, consult the OEM or contact Power Gear.

Instructions

- 1) Grind off the backside (the side with the "X" indentation) of the rivet until it is flush with the metal. (See Figure 2)
- 2) Place a socket around the front side of the rivet. (NOTE: The internal diameter of the socket must be larger than the rivet head. Try 11/16" or larger.) Place a steel pin (smaller than the diameter of the rivet shaft) on the ground off rivet. (See Figure 3)
- 3) Place one side of a C-Clamp on the pin and the other side on the socket. (See Figure 4) Tighten the C-Clamp until the rivet has been removed. (NOTE: The rivet may need to be pounded out using a pin and hammer)
- 4) Remove gold washer that separates the metal step frame sections.
- 5) Assemble parts in correct order and tighten to 15-19 foot pounds (See Figure 5)
- 6) Completed repair should look like Figure 6.

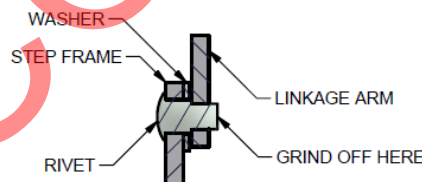


Figure 2 Installed rivet

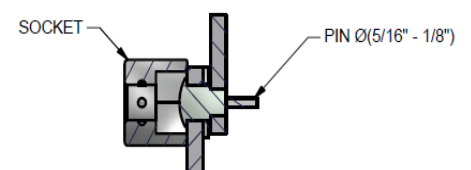


Figure 3 Socket and pin location

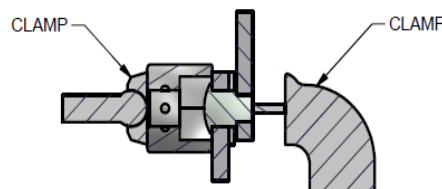


Figure 4 C-Clamp location



Figure 6 Complete bolt assembly



This document has been modified from the original Kwikiee 09/12 release. All former references to the Kwikiee warranty and contact information were removed.

**For all concerns or questions, please contact
Lippert Components, Inc.**

Ph: (574) 537-8900 | Web: lci1.com | Email: customerservice@lci1.com