



LIPPERT  
COMPONENTS®



# Reel Away™ (cord reelers)

## Installation and Owner's Manual

(For Aftermarket Applications)

### Table of Contents

Introduction .....	1
Features .....	1
Safety Information .....	1
Resources Required .....	1
Reel Away Options .....	2
Installation .....	2
Operation .....	3
Standard Reel Away .....	3
Deluxe Reel Away .....	3-4
Notes .....	4

### Introduction

The LCI Reel Away™ cord reeler is the latest product in the RV industry designed to easily store 30 or 50 amp power cords. The Reel Away can be easily installed on the floor of any storage compartment, screws provided! This convenient storage solution frees up storage space and provides a simple way to use and store power cords.

### Features

- The Standard Reel Away stores cords up to 36 feet in length.
- The Deluxe Reel Away stores cords up to 50 feet in length.
- Mounted for left- or right-handed operation.
- Powder coated steel construction.
- Convenient way to store power cords.

### Safety Information

**⚠ WARNING**

FAILURE TO FOLLOW THE INSTRUCTIONS PROVIDED IN THIS MANUAL MAY RESULT IN DEATH, SERIOUS INJURY, UNIT DAMAGE, OR VOIDING OF THE COMPONENT WARRANTY.

**⚠ CAUTION**

MOVING PARTS CAN PINCH, CRUSH OR CUT. KEEP CLEAR AND USE CAUTION.

### Resources Required

- Cordless or Electric Drill or Screw Gun
- Appropriate Drive Bits



**LIPPERT**  
COMPONENTS®

# Reel Away™ (cord reeler)

## Installation and Owner's Manual (For Aftermarket Application)

### Reel Away Options



Letter	Part #	Description
A	<a href="#">677584</a>	Reel Away Standard
B	<a href="#">677583</a>	Reel Away Deluxe S
C	<a href="#">677582</a>	Reel Away Deluxe T

### **⚠ WARNING**

**MAKE SURE TO HAVE SUFFICIENT BACKING MATERIAL BEFORE FASTENING REEL AWAY TO THE UNIT.**

### Installation

1. Locate the four provided wood screws.
2. Locate the four pre-drilled mounting holes on the Reel Away (Fig.1A and Fig.2A).
3. Fasten the Reel Away to the surface using the four provided screws.

**NOTE:** The four screws are intended for fastening the Reel Away to a wood surface only. A minimum of 3/4" wood surface is recommended.

**NOTE:** If the surface is not wood, contact unit manufacturer for installation recommendations.



Fig.1

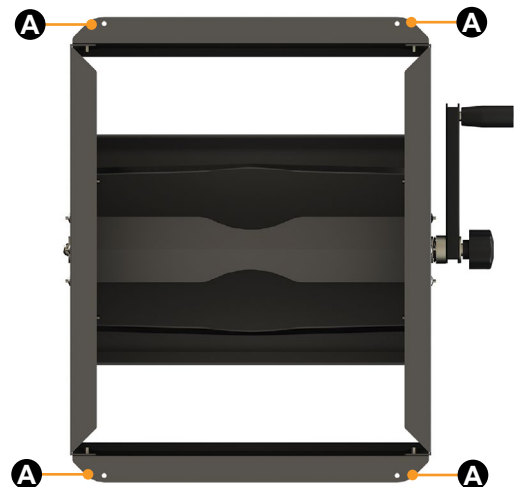


Fig.2



LIPPERT  
COMPONENTS®

## Reel Away™ (cord reelers)

### Installation and Owner's Manual (For Aftermarket Application)

## Operation

### Standard Reel Away

#### Storing Detachable Cord

1. Feed the cord into the center opening (**Fig.3A**) on the spooler with the socket end first.
2. Slide the socket end of the cord to the left or right. Turn the handle clockwise while guiding the cord.

#### Removing Detachable Cord

1. Remove the cord completely by pulling it out of the Reel Away.
2. If the cord gets caught, guide the cord back through the Reel Away by turning the handle clockwise and counterclockwise until the cord is free. Continue to remove the cord.

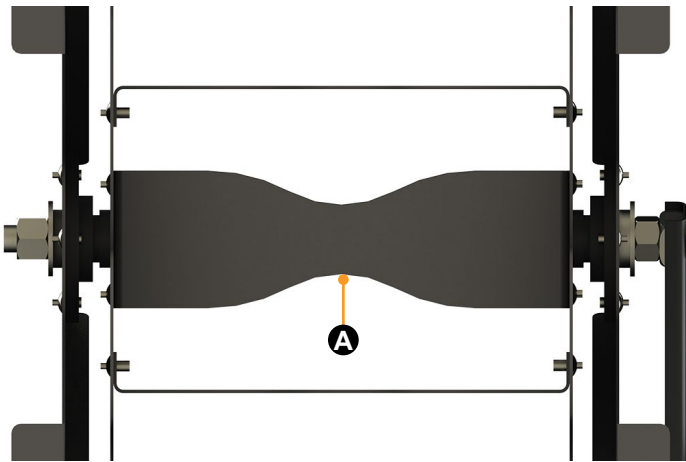


Fig.3

### Storing Hard Wired Cord

1. Feed the cord into the center opening (**Fig.3A**) on the spooler with the plug end first.
2. Slide the plug end of the cord to the left or right. Turn the handle clockwise while guiding the cord.

### Removing Hard Wired Cord

1. Pull the cord completely out of the Reel Away to access the plug end.
- If the cord gets caught, guide the cord back through the Reel Away by turning the handle clockwise and counterclockwise until the cord is free. Continue to remove the cord.

### Deluxe Reel Away

#### Storing Detachable Cord

1. Turn the tension adjustment knob (**Fig.4A**) counterclockwise to allow the reel to move freely.
2. Feed the cord into the center opening (**Fig.5A**) on the spooler with the socket end first.
3. Slide the socket end of the cord to the left or right. Turn the handle clockwise while guiding the cord.
4. When complete, make sure to lock the Reel Away by turning the tension adjustment knob (**Fig.4A**) clockwise. This prevents the cord from unwinding.

#### Removing Detachable Cord

1. Make sure the tension adjustment knob (**Fig.4A**) is kept tight while removing the cord. Remove the cord completely by pulling it out of the Reel Away.

**NOTE:** If the tension adjustment knob (**Fig.4A**) is not kept tight, the cord can get caught in the Reel Away when it is pulled out and damage to the product may occur.

2. If the cord gets caught, guide the cord back through the Reel Away by turning the handle clockwise and counterclockwise until the cord is free. Continue to remove the cord.



LIPPERT  
COMPONENTS®

## Reel Away™ (cord reeler)

### Installation and Owner's Manual (For Aftermarket Application)

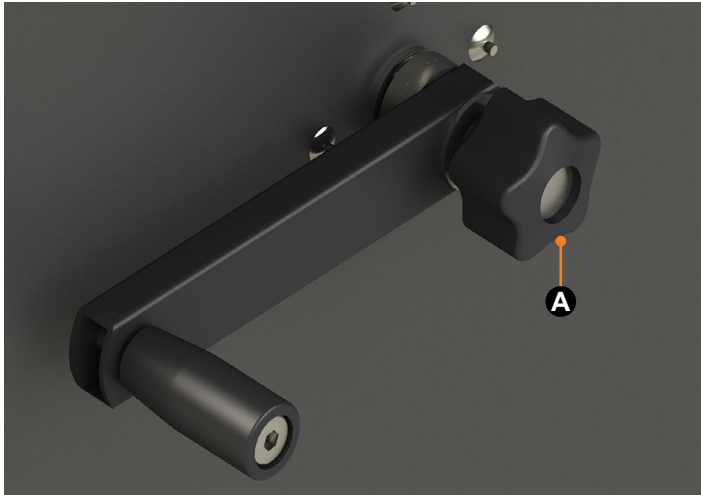


Fig.4

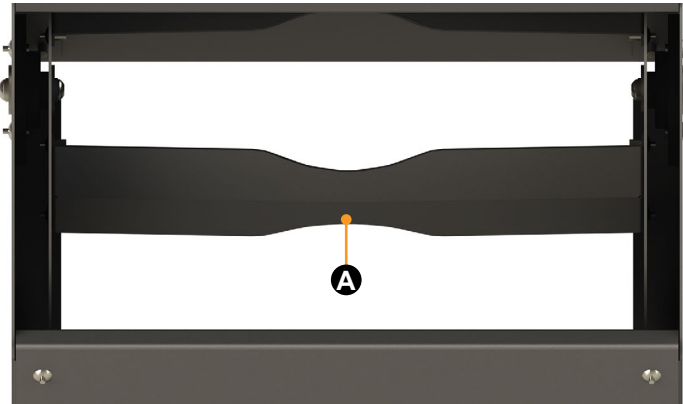


Fig.5

#### Storing Hard Wired Cord

1. Turn the tension adjustment knob (**Fig.4A**) counterclockwise to allow the reel to move freely.
2. Feed the cord into the center opening (**Fig.5A**) on the spooler with the plug end first.
3. Slide the plug end of the cord to the left or right. Turn the handle clockwise while guiding the cord.
4. When complete, make sure to lock the Reel Away by turning the tension adjustment knob (**Fig.3A**) clockwise. This prevents the cord from unwinding.

#### Removing Hard Wired Cord

1. Make sure the tension adjustment knob (**Fig. 4A**) is kept tight while removing the cord. Pull the cord completely out of the Reel Away to access the plug end.

**NOTE:** If the tension adjustment knob (**Fig. 4A**) is not kept tight, the cord can get caught in the Reel Away when it is pulled out and damage to product may occur.

2. If the cord gets caught, guide the cord back through the Reel Away by turning the handle clockwise and counterclockwise until the cord is free. Continue to remove the cord.

#### Notes

---

---

---

---

---

---

---

---

---

---



LIPPERT  
COMPONENTS®

Manual information may be distributed as a complete document only, unless Lippert Components provides explicit consent to distribute individual parts.

All manual information is subject to change without notice. Revised editions will be available for free download at [lci1.com](http://lci1.com). Manual information is considered factual until made obsolete by a revised version.

Please recycle all obsolete materials and contact Lippert Components with concerns or questions.