



**25K GOOSENECK  
OEM INSTALLATION MANUAL**

L I P P E R T  
C O M P O N E N T S<sup>®</sup>

# TABLE OF CONTENTS

System Information.....	2
Safety Information.....	2
Resources Required.....	2
Installation.....	2

## System Information

The 25K Gooseneck is made for a flat-fronted gooseneck trailer. It is a coupler assembly and top platform for a trailer that has a Gross Vehicle Weight Rating (GVWR) of 25,000 lbs or less. The trailer **MUST** be designed to accept this type of hitch.

## Safety Information

The 25K Gooseneck is heavy and difficult to handle by one person. At least 2 people are recommended to install the 25K Gooseneck.

### **WARNING**

The “WARNING” symbol above is a sign that an installation procedure has a safety risk involved and may cause death or serious injury if not performed safely and within the parameters set forth in this manual. Always wear eye protection when performing this installation procedure. Other safety equipment to consider would be hearing protection, gloves, and possibly a full face shield, depending on the nature of the installation procedure.

### **WARNING**

The trailer **MUST** be supported per manufacturer's specifications before working underneath. Failure to do so may result in death or serious injury.

### **CAUTION**

Moving parts can pinch, crush or cut. Keep clear and use caution.

## Resources Required

- Cordless or Electric Drill or Screw Gun
- Appropriate Drive Bits
- Torque Wrench
- Hammer
- Tape Measure
- Appropriately-Sized and Rated Fasteners
- Drift/Centering Pins

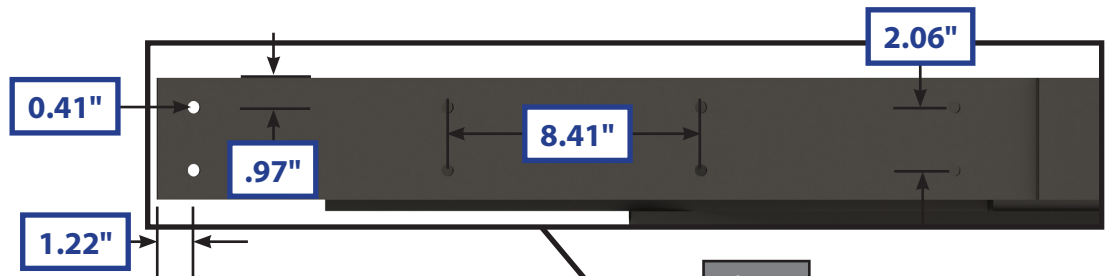
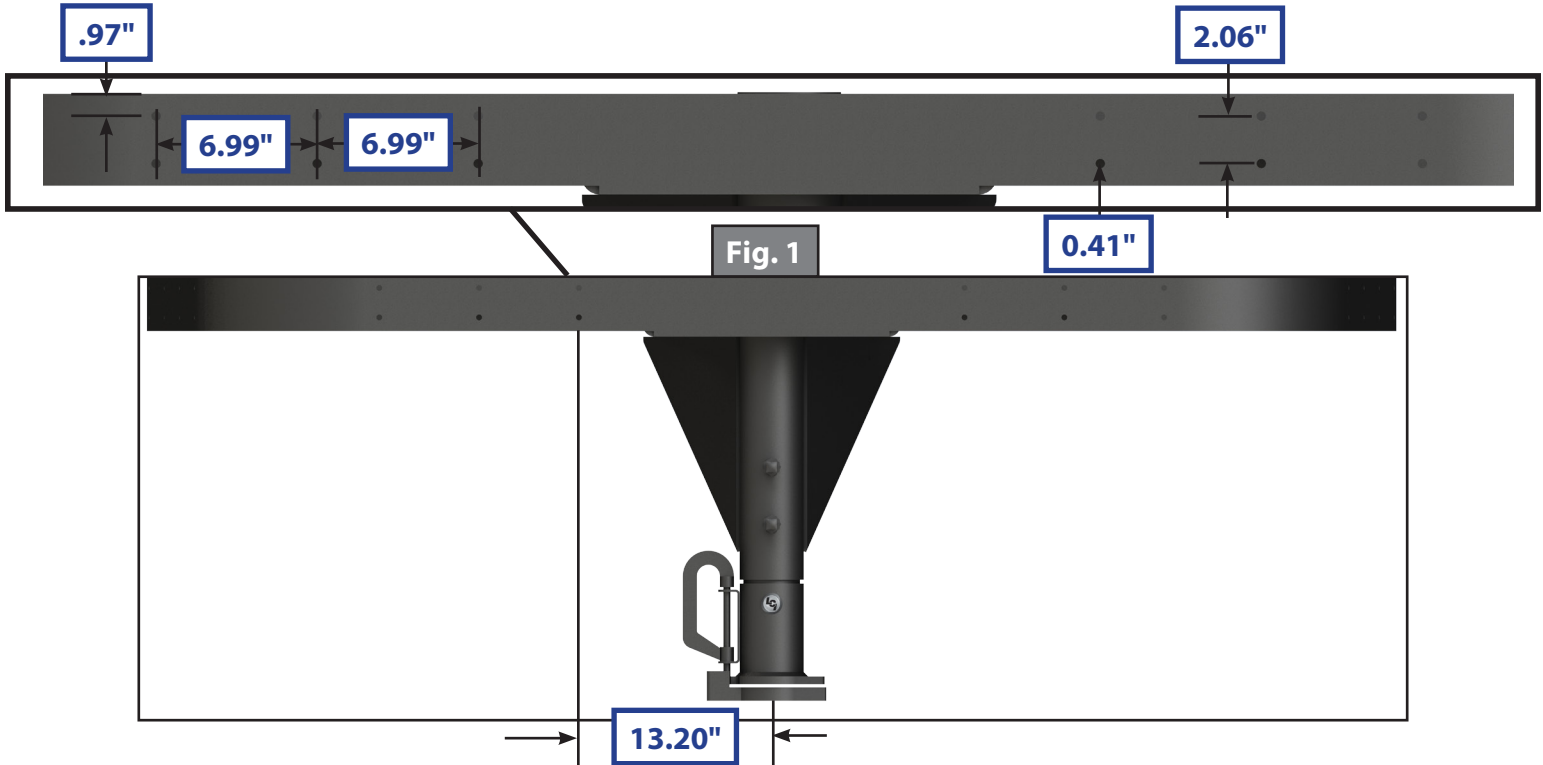
## Installation

1. Determine if the trailer's design can accommodate installation of the 25K Gooseneck structure.
  - A. Refer to bolt hole size and location dimensions in Fig. 1 and Fig. 2.
  - B. Bolt hole locations must fit within the mating trailer's framework.
  - C. Bolts used to attach the 25K Gooseneck to the trailer's framework must be determined by the length and GVWR of the trailer. Maximum bolt hole diameter is  $\frac{7}{16}$ ".

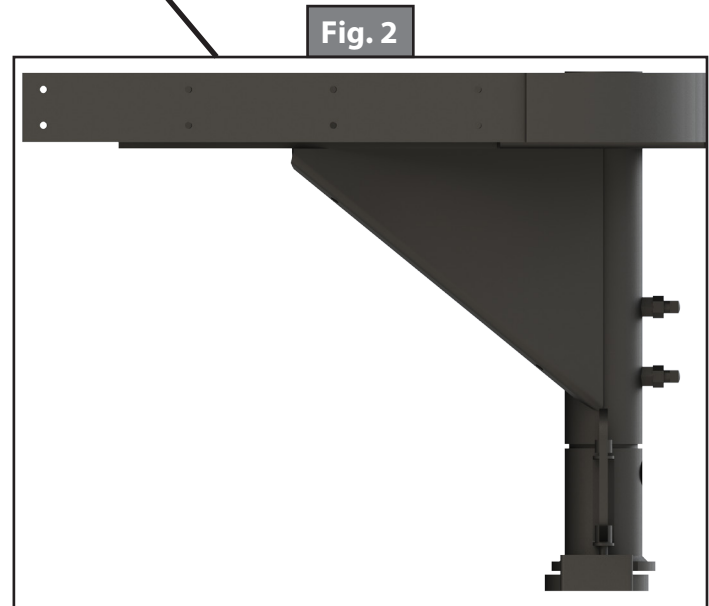
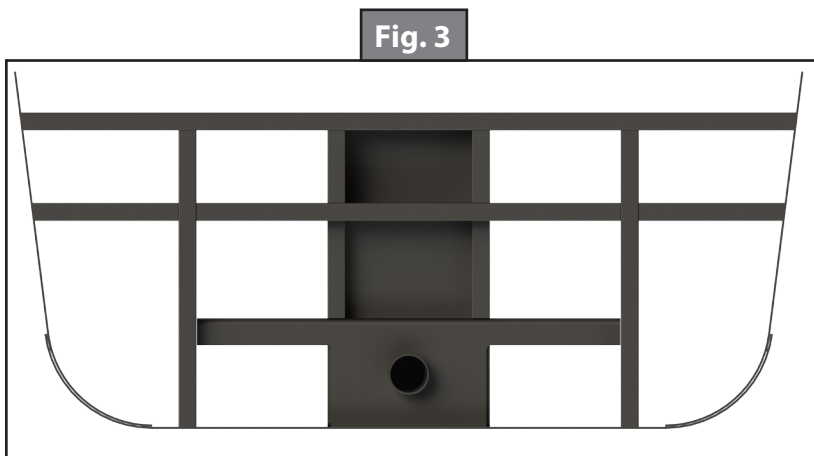
**NOTE:** Make sure trailer is level prior to 25K Gooseneck installation.

2. If Step 1 determined the 25K Gooseneck can be used on this trailer, then slide the 25K Gooseneck frame (Fig. 3) into the trailer's framework or cradle.
3. Use drift/center pins to align trailer framework mounting holes to the 25K Gooseneck mounting holes.
4. Use appropriately-rated fasteners (determined in Step 1) to secure the 25K Gooseneck to the upper deck of the trailer. Use all 28 available 25K Gooseneck mounting holes.

**NOTE:** If the hitch ball lock is sticking, clean and lubricate the lock.



Use all 28 available 25K Gooseneck mounting holes.





# L I P P E R T C O M P O N E N T S®

The contents of this manual are proprietary and copyright protected by Lippert Components, Inc. ("LCI"). LCI prohibits the copying or dissemination of portions of this manual unless prior written consent from an authorized LCI representative has been provided. Any unauthorized use shall void any applicable warranty. The information contained in this manual is subject to change without notice and at the sole discretion of LCI. Revised editions are available for free download from [lippertcomponents.com](http://lippertcomponents.com).

Please recycle all obsolete materials.

For all concerns or questions, please contact  
Lippert Components, Inc.

574-537-8900 | [lippertcomponents.com](http://lippertcomponents.com) | [customerservice@lci1.com](mailto:customerservice@lci1.com)