



LIPPERT  
COMPONENTS®



# Flow Down™ Aftermarket Manual

## Table of Contents

Introduction .....	2
Parts List .....	2
Operation .....	3
Notes .....	4



**LIPPERT**  
COMPONENTS®

Flow Down

# Aftermarket Manual

## Introduction

Flow Down keeps your drain hose up off the ground and easily adjusts to nearly any slope, which prevents sewage from getting trapped in the hose. This premium, adjustable RV drain support system will help prevent odor and protect your hose from damage.

No more carrying lumber, rocks or modified PVC pipe to hold your hose up off the ground. The legs of each section can be simply adjusted using the knobs at each half pipe connection. One kit extends to over 10 feet and it can be easily expanded to 20 feet by purchasing another kit.

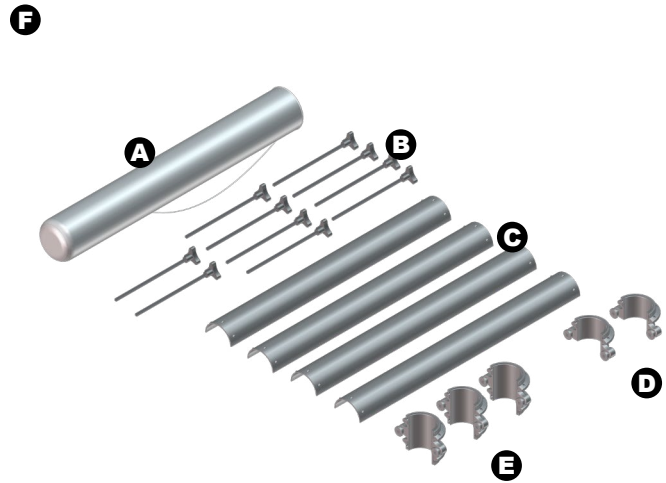
### Quick Facts

- Quick setup
- Adjustable legs
- 10 feet extended
- Storage bag included

### Helpful Hints

- If you need to place the Flow Down around an object or corner, you can eliminate one of the half pipes and place two of the center fittings end to end at any angle to create an elbow.
- Bungee cords can be used to wrap around the Flow Down support and the RV drain hose for extended stay, which makes a more stable sewer connection.

## Parts List



Letter	Part #	Description
A	<a href="#">365044</a>	Storage Bag
B	<a href="#">365045</a>	10" Stake
C	365046	Half Pipe
D	365051	End Fitting
E	365052	Middle Fitting
F	<a href="#">365053</a>	Flow Max Kit



## Operation

1. Holding a single end fitting and a half pipe, rotate the half pipe into the end fitting (Fig. 1). (Fittings have only one opening and a stop on the other side which allows for rotation one way only (Fig. 2A).



Fig. 1

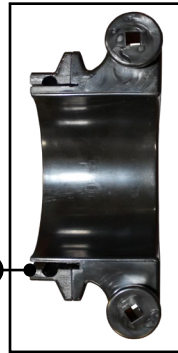


Fig. 2

2. Rotate a middle fitting onto the half pipe from Step 1 (Fig. 3).
3. Rotate a half pipe into the open end of the middle fitting (Fig. 4).
4. Repeat these steps until there is an end fitting on each end and middle fittings in the center of the drain support.



Fig. 3



Fig. 4

5. Now position one end close to the RV and the other end at the sewer connection of the RV Park.
6. Starting at the RV, slide a 10" stake down through the pinch bolts but do not tighten (Fig. 5).
7. Repeat Step 6 on each fitting.
8. After they are all in place, adjust the RV end of the Flow Down so it is as high as possible but still under the RV Sewer hookup. Now tighten the sliding square shafts snugly, but DO NOT OVER TIGHTEN.
9. Repeat this procedure on each fitting from the RV outward to the park sewer connection, keeping in mind that there should be at least 1/4 inch drop per foot in the Flow Down to allow the black and gray water to flow and avoid back-up into the RV (Fig. 6).
10. You are now ready to lay your RV drain hose into the Flow Down Fully Adjustable RV Drain Hose Support! Attach one end to the RV and insert the other into the park sewer connection.



Fig. 5



Fig. 6



Flow Down

# Aftermarket Manual

## Notes

---

---

---

---

---

---

---

---

---

---

---

---

---

---

---

---

---

---

---

---

---

---

---

---

---

---

---

---

---

---

---

---

---

---

---

---

---

---

---

---

---

---

---

---

---

---

---

---

---

---



Manual information may be distributed as a complete document only, unless Lippert Components provides explicit consent to distribute individual parts.

All manual information is subject to change without notice. Revised editions will be available for free download at [www.lippertcomponents.com](http://www.lippertcomponents.com). Manual information is considered factual until made obsolete by a revised version.

Please recycle all obsolete materials and contact Lippert Components with concerns or questions.