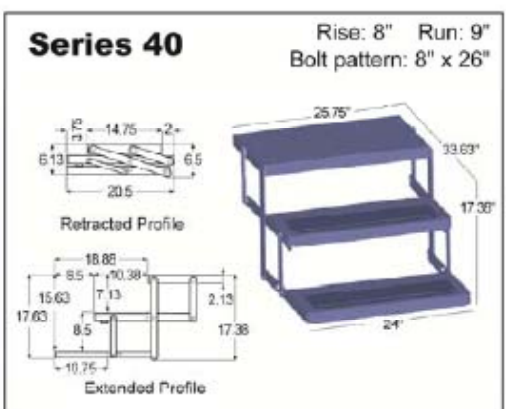
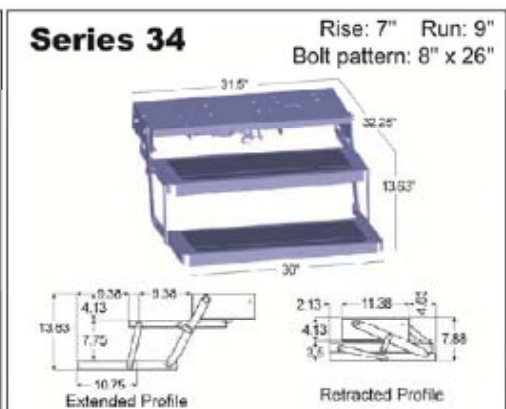
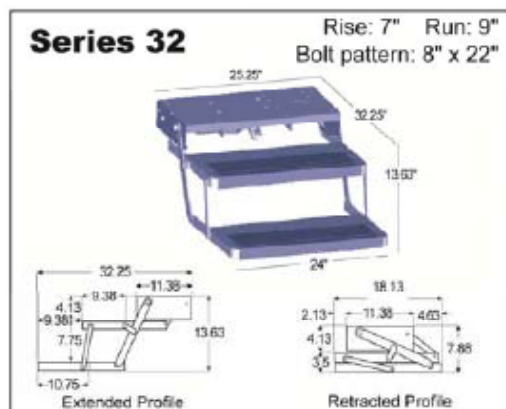


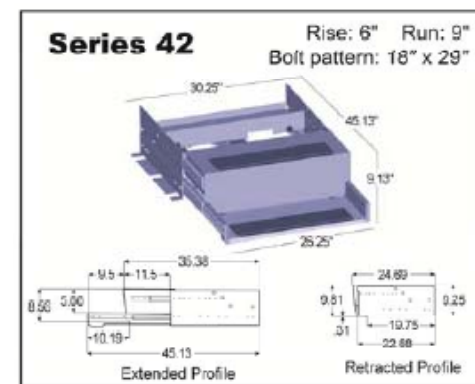
# Kwikee Double Series Steps



**\*See Page 2 for details on Platinum Step**

Step Series	Part Number	Contains Step Control?	Tread Size	Switch Kit	Rise	Run
32 Series	903200906	No	24"	905316000	7"	9"
32 Series	903209025	Yes	24"	905325000	7"	9"
34 Series	903400906	No	30"	905316000	7"	9"
34 Series	903409025	Yes	30"	905325000	7"	9"
40 Series	904000906	No	24"	905316000	8"	10"
40 Series	904009025	Yes	24"	905325000	8"	10"
42 Series	904209000	Yes	26.25"	n/a	6"	9"
<b>*Platinum</b>	<b>9010000220</b>	<b>Yes</b>	<b>24"</b>	<b>n/a</b>	<b>9"</b>	<b>11"</b>

**\*\*All Steps listed come with appropriate motor. If you require a replacement motor or motor/control upgrade kit, see Step Motor & IMGL Linkage Application Chart.**



Continued on Next Page....

**EXCEPTIONAL FEATURES**

**Strong** Safely supports up to 750 pounds

**Rugged** Heavy gauge steel, powder-coated for a long-lasting finish

**Easy to retrofit** Bolts into existing step frame hole

Standard Size frame with a 2" deeper drop

Step locks in the out position for usage even with the linkage disengaged.

Cams no longer need to be adjusted to improve rigidity.

## Platinum Series Step

### You may be able to upgrade your 32 Series Double step with a Platinum Series Step!

Designed with new technology making it the sturdiest step in the industry! Long-lasting durability is a given since this step has been life-cycle tested at 40,000 cycles. It has also received extensive environmental testing to prove it meets with Kwikiee's high standards of performance.

