

## AWNINGS

### Prior To Installation

**NOTE:** All screws/rivets supporting awning assembly **MUST** have a backer within the structure of the wall of the coach.

### Resources Required

- Three people
- Drill or cordless screw gun
- #2 square screwdriver bit
- $\frac{3}{8}$ " nut driver bit and/or rivet gun

### Installation

**NOTE:** If installing a Pull Strap Awning, refer to [TI-163](#) for instructions to mount heads to roll tube.

1. Attach the awning heads to the support arm assemblies by screwing the  $\frac{5}{16}$ "-18 x 2  $\frac{1}{4}$ " bolts (266148) into the ends of the support arms and tightening the bolts (Fig. 1).
2. With two people holding the support arms, one at either end of the awning assembly, a third person needs to line up the fabric cord with the awning rail that has been installed on the coach. Slide the fabric cord the length of the awning rail.

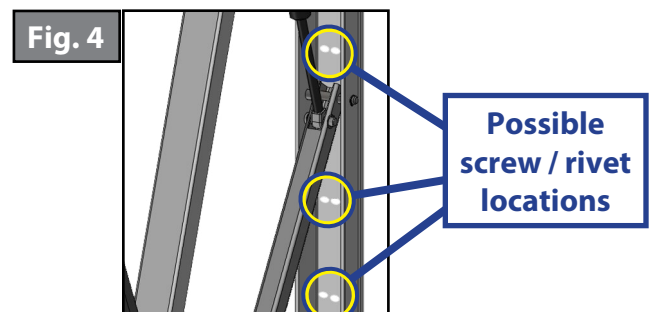
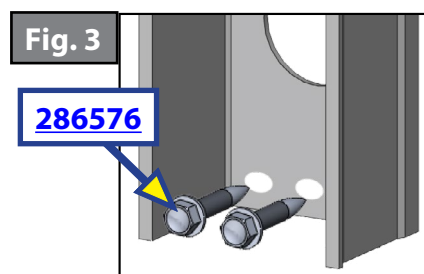
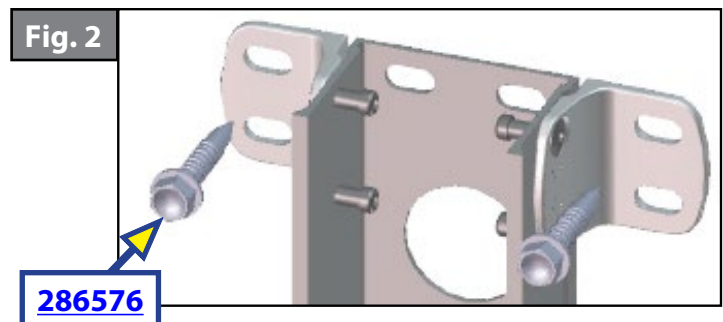
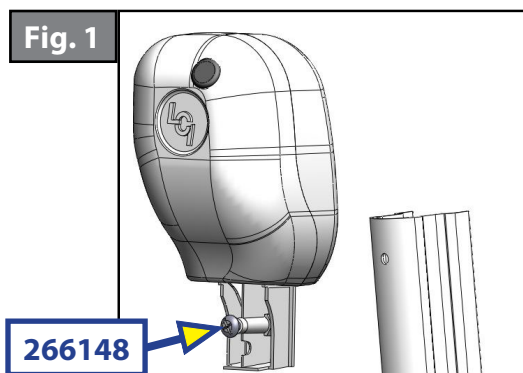
**NOTE:** Do not unravel fabric more than one full revolution for installation or the tension will be too weak to retract properly.

3. Set the awning assembly to the desired height and attach it to the side of the coach with two #14 x 1  $\frac{1}{2}$ " screws ([286576](#)) at the top (Fig. 2) and two #14 x 1  $\frac{1}{2}$ " ([286576](#)) screws at the bottom (Fig. 3).

**NOTE:** Make sure the awning assembly is square on the unit prior to mounting the bottom 2 screws.

4. Remove the cotter pin from each head assembly. Extend the awning half way out. Secure the middle of the wall mounting channel with two #14 x 1  $\frac{1}{2}$ " screws ([286576](#)) at any of the three locations shown (Fig. 4). Repeat this process for other side of awning assembly.

**NOTE:** Four rivets with  $\frac{3}{16}$ " grip range can be used in place of the two middle and two lower screws on laminated walls.



## AWNINGS

### Securing The Fabric

1. Roll the awning in and out several times to ensure that the fabric is square on the roll tube.
2. Secure the fabric in the awning rail by installing a #6 x 1/2" hex head screw through the fabric cord and fabric 1" inside the edge of the fabric on both sides (Fig. 5).

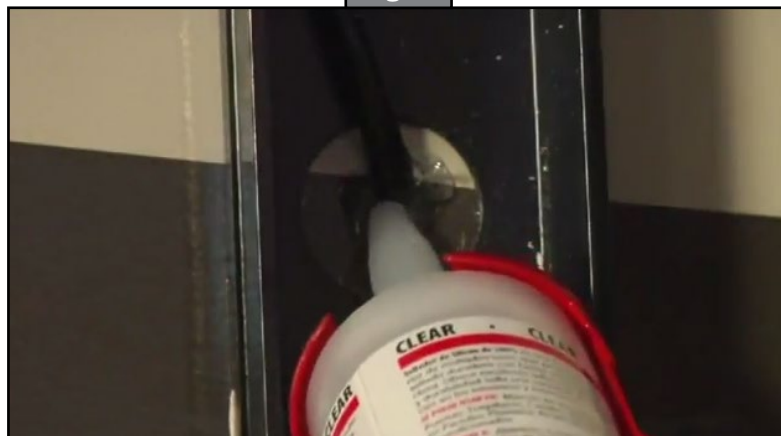
**NOTE:** Seal all wall penetrations to protect against water intrusion (Fig. 6).

**NOTE:** All Solera Awnings 21' and under **DO NOT** require a center support or cradle.

Fig. 5



Fig. 6



As a supplier of components to the RV industry, safety, education and customer satisfaction are our primary concerns. Should you have any questions, please do not hesitate to contact us at (574) 537-8900 or by email at [customerservice@lci1.com](mailto:customerservice@lci1.com). Self-help tips, technical documents, product videos and a training class schedule are available at [lci1.com](http://lci1.com) or by downloading the MyLCI app.