

AWNINGS

Purpose

This document provides the steps to replace the awning pitch arm assembly.

⚠ CAUTION

Moving parts can pinch, crush or cut. Keep clear and use caution.

Resources Required

- 2 People
- Pliers
- Flat Head Screwdriver
- $\frac{7}{16}$ " Deep Well Socket
- C-clamp (optional)

Installation

NOTE: Fig. 1 and Fig. 2 show two different types of pitch arms. The removal and replacement of the pitch arm will be the same.

1. Extend the awning to the fully-open position.
2. With a flat head screwdriver carefully remove the black spacers that are placed in between the pitch arm and the outer arm (Fig. 3A) and in between the pitch arm and the mount arm (Fig. 4A).

Fig. 1

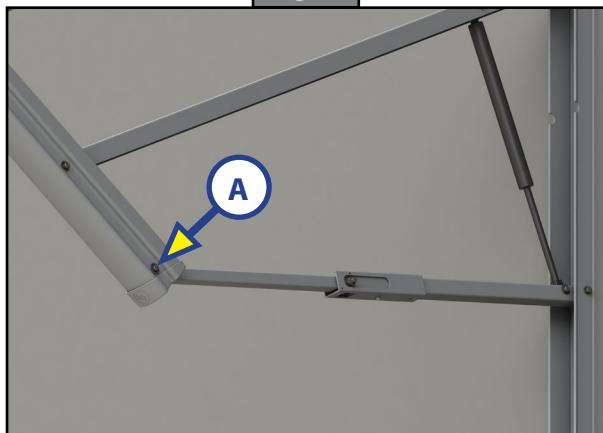


Fig. 2



Fig. 3

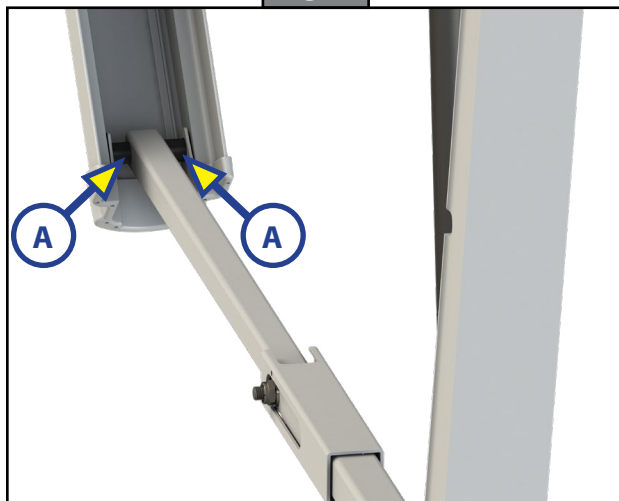
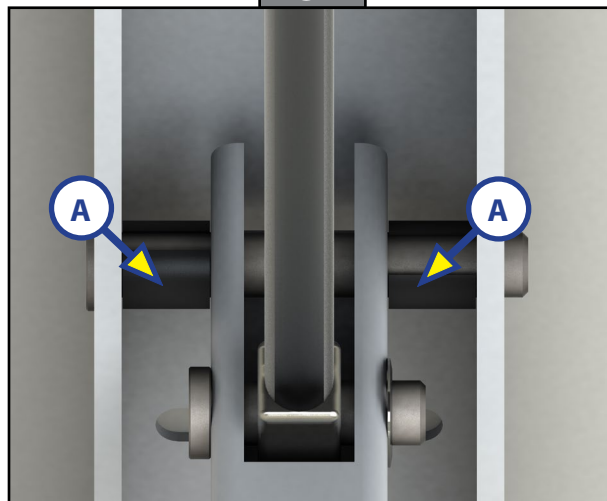


Fig. 4





LIPPERT
COMPONENTS

PITCH ARM AWNING ASSEMBLY REPLACEMENT

TI-258

AWNINGS

NOTE: Make sure to keep all the black spacers that are placed in between the pitch arm and the outer arm (Fig. 3A) and in between the pitch arm and the mount arm (Fig. 4A).

⚠ CAUTION

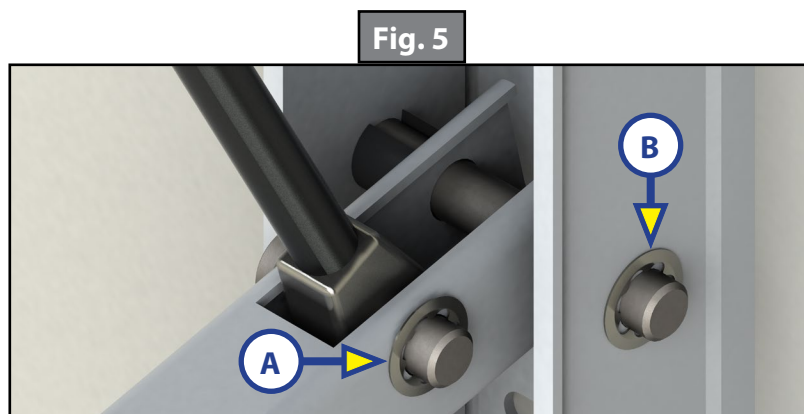
Make sure to adequately support the roll tube during this process. Failure to support the roll tube may result in personal injury or property damage.

3. With an assistant holding the roll tube, remove the star washer on the pin where the pitch arm and the outer arm meet (Fig. 1A).

NOTE: Squeezing the outer arm may assist in removal of the star washer. Tin snips may also be needed to remove the star washers.

4. Remove the star washer where the pitch arm meets the gas strut (Fig. 5A) and where the pitch arm meets the mount arm (Fig. 5B).

NOTE: A C-clamp may be used carefully to squeeze the mount arm for easier removal of the star washer.



5. Making sure the assistant has a firm hold on the roll tube so it will not fall, remove the pin where the pitch arm meets the outer arm. Remove the pin holding the gas strut to the pitch arm and remove the pin holding the pitch arm to the mount arm.
6. Discard the old pitch arm and install the new pitch arm in place.

NOTE: The assistant holding the roll tube may have to raise or lower it in order to align the holes for the pins.

7. Replace the pin that holds the gas strut to the pitch arm.
8. Replace the pin that holds the pitch arm to the mount arm.
9. Replace the pin that holds the pitch arm to the outer arm.
10. Replace the 2 black spacers in between the pitch arm and the outer arm (Fig. 3A) by pushing the gap side onto the pin.
11. Replace the 2 black spacers in between the pitch arm and the mount arm (Fig. 4A) by pushing the gap side onto the pin.
12. Use a $\frac{7}{16}$ " deep well socket to push new star washers on to all 3 pins. The star washers can only be installed in one direction (with the points facing out).

NOTE: Always use new star washers when replacing the pins.

As a supplier of components to the RV industry, safety, education and customer satisfaction are our primary concerns. Should you have any questions, please do not hesitate to contact us at (574) 537-8900 or by email at customerservice@lci1.com. Self-help tips, technical documents, product videos and a training class schedule are available at lci1.com or by downloading the MyLCI app.