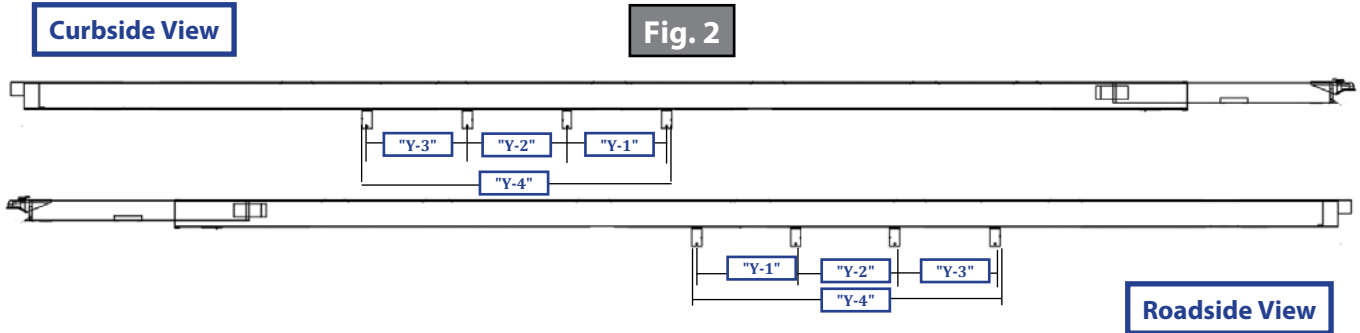
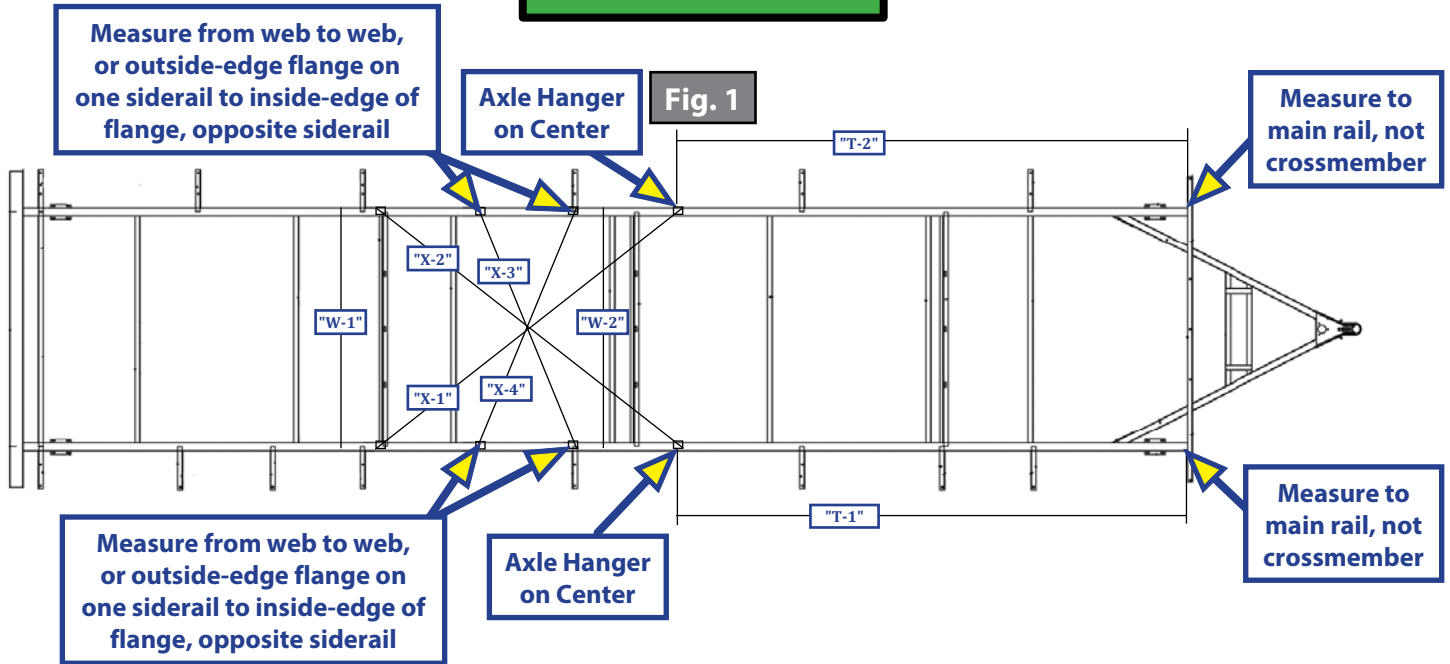


FRAMES AND CHASSIS

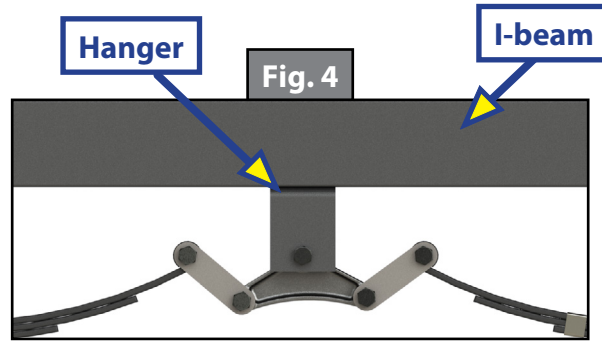
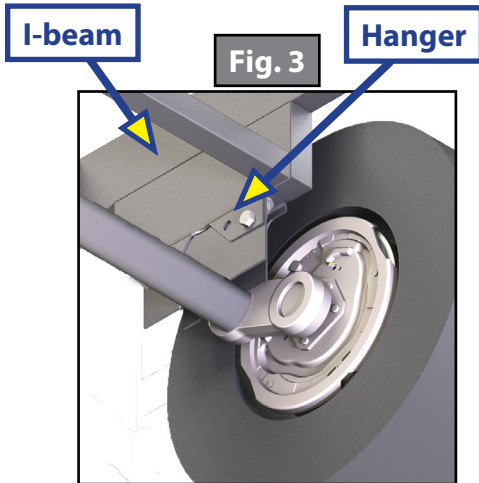


VIN #	
Call #	
T-1	
T-2	
W-1	
W-2	
X-1	
X-2	
X-3	
X-4	

Curbside	
Y-1	
Y-2	
Y-3	
Y-4	

Roadside	
Y-1	
Y-2	
Y-3	
Y-4	

FRAMES AND CHASSIS



1. Trailer must be pulled into work space straight and evenly.

NOTE: Be consistent with the point of measurement on the frame, ie: X-1 inside edge, X-2 inside edge, etc.

2. When measuring axle hanger, measure where hanger meets I-beam (Figs. 3 and 4).

NOTE: Be sure to measure as high on the hanger as possible if other components interfere with measurement point on the hanger.

3. Measurements W-1 and W-2 are for overall width. Be sure to measure from web to web, or outside-edge of flange on one siderail to inside-edge of flange on the opposite siderail (center of spring).
4. When measuring X-1 and X-2, be sure to measure from the top of the hanger on both ends.
5. Measure T-1 and T-2 (Fig. 1) from center of axle hanger to intersection of main rail and front crossmember.
6. On measurements Z-1 and Z-2, be sure to measure top of hanger and bottom main rail.
7. Measure Y-1, Y-2 and Y-3 on center of bolt.
8. Measure Y-4 outside of front hanger to outside of rear hanger (Fig. 2).

NOTE: Please accompany this document with clear pictures of all points of issue. Be sure tire wear pictures are shot straight on (Fig. 5).

As a supplier of components to the RV industry, safety, education and customer satisfaction are our primary concerns. Should you have any questions, please do not hesitate to contact us at (574) 537-8900 or by email at customerservice@lci1.com. Self-help tips, technical documents, product videos and a training class schedule are available at www.lci1.com or by downloading the MyLCI app.