

WINDOWS

Purpose

This document provides the steps to replace the frames, glass and shade in RV entry door windows with integrated shades.

Resources Required

- Cordless or Electric Drill or Screw Gun
- Appropriate Drive Bits
- Exterior Grade Glass Sealant

Replacement Window Components	
Part #	Description
387501	Interior Window Frame (Black)
387500	Exterior Window Frame (Black)
226092	Window Glass (Clear)
226093	Window Glass (Dark Tint G20)
404187	Integrated Window Shade

Window Component Replacement Procedures

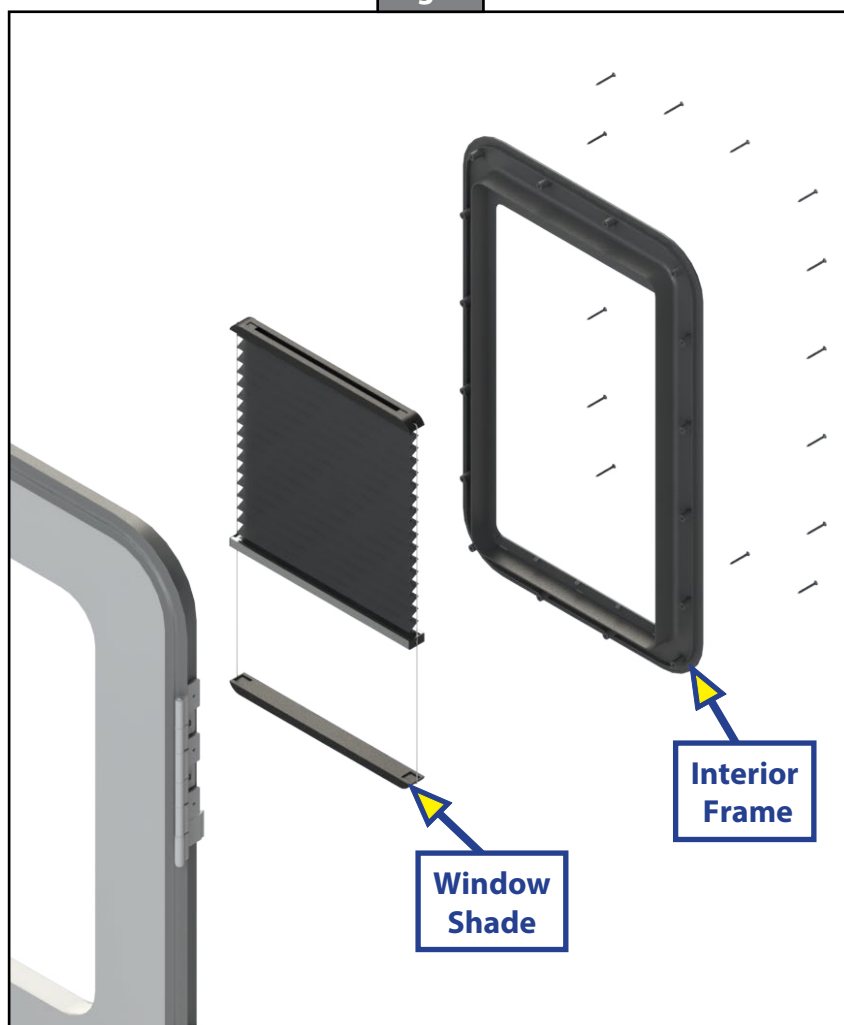
Replacing Window Shade, Interior Frame

1. Remove the 16 Phillips head screws from the interior window frame.
2. Support the glass with one hand on the exterior side of the window before pulling away interior frame.
3. Remove interior window frame from window opening (Fig. 1).
4. Remove window shade assembly from inside of the interior window frame.
5. Install new window shade into interior window frame or place existing shade into new interior frame. The shade will snap into place inside the interior window frame.

NOTE: There are weep holes in the interior window frame which must be placed at the bottom of the assembly.

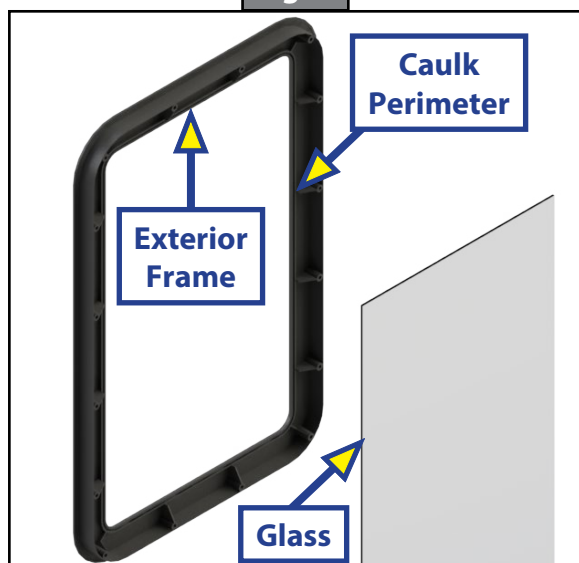
6. Use care to secure glass during the new shade or frame installation.
7. Inspect for a broken or cracked seal between the door core and the exterior frame and between the glass and the exterior frame. If necessary, caulk these locations with an exterior grade sealant.
8. Place the interior frame into position and secure the window assembly with 16 new Phillips head screws.

Fig. 1



WINDOWS

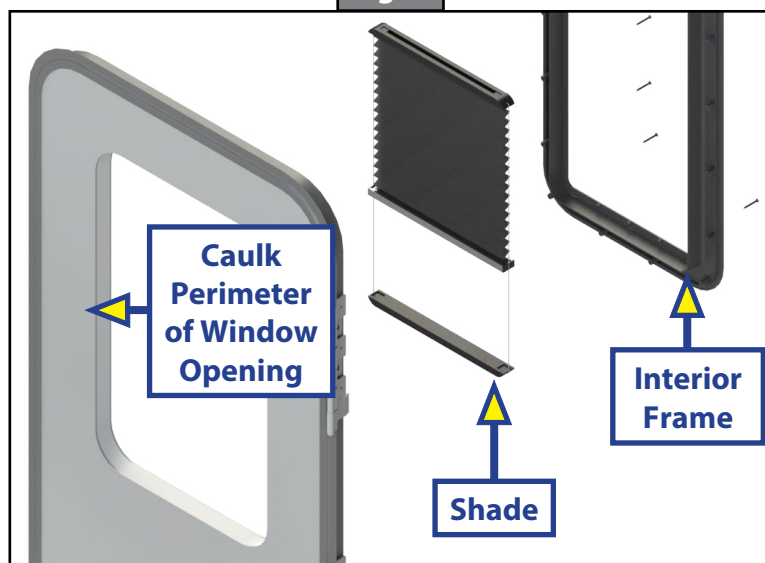
Fig. 2



Replacing Glass

1. Remove the 16 Phillips head screws from the interior window frame.
2. Support the glass with one hand on the exterior side of the window before pulling away interior frame.
3. Remove interior window frame from the window opening and set aside.
4. Remove exterior window frame and place on a flat surface.
5. Carefully remove old glass from exterior window frame.
6. Caulk inside perimeter of exterior frame with exterior grade sealant (Fig. 2).
7. Make sure the DOT stamp on the glass is facing outward, then place the new glass into the exterior window frame.
8. Using exterior grade sealant, caulk the exterior perimeter of the door's window opening (Fig. 3).
9. Install exterior window frame assembly into the window's opening.
10. Install interior window frame with installed shade.
11. Secure window assembly with 16 new Phillips head screws.

Fig. 3



Replacing Exterior Frame

1. Remove the 16 Phillips head screws from the interior window frame.
 2. Support the glass with one hand on the exterior side of the window before pulling away interior frame.
 3. Remove interior window frame from window opening.
 4. Remove exterior frame with glass and place on a flat surface.
 5. Carefully remove the glass from the inside of the old exterior window frame.
 6. Make sure the DOT stamp on the glass is facing outward, then place the glass into the new exterior window frame.
- NOTE:** A new exterior window frame is supplied with sealant in place. There is no need to caulk the perimeters of the window frame or the door's window opening.
7. Place the exterior window frame into the door's window opening.
 8. Install interior window frame with installed shade.
 9. Secure window assembly with 16 new Phillips head screws.

As a supplier of components to the RV industry, safety, education and customer satisfaction are our primary concerns. Should you have any questions, please do not hesitate to contact us at (574) 537-8900 or by email at customerservice@lci1.com. Self-help tips, technical documents, product videos and a training class schedule are available at lci1.com or by downloading the MyLCI app.