

DOORS

Introduction

This document outlines the process of replacing an anchor bracket for a generation 1 patio rail kit.

Resources Required

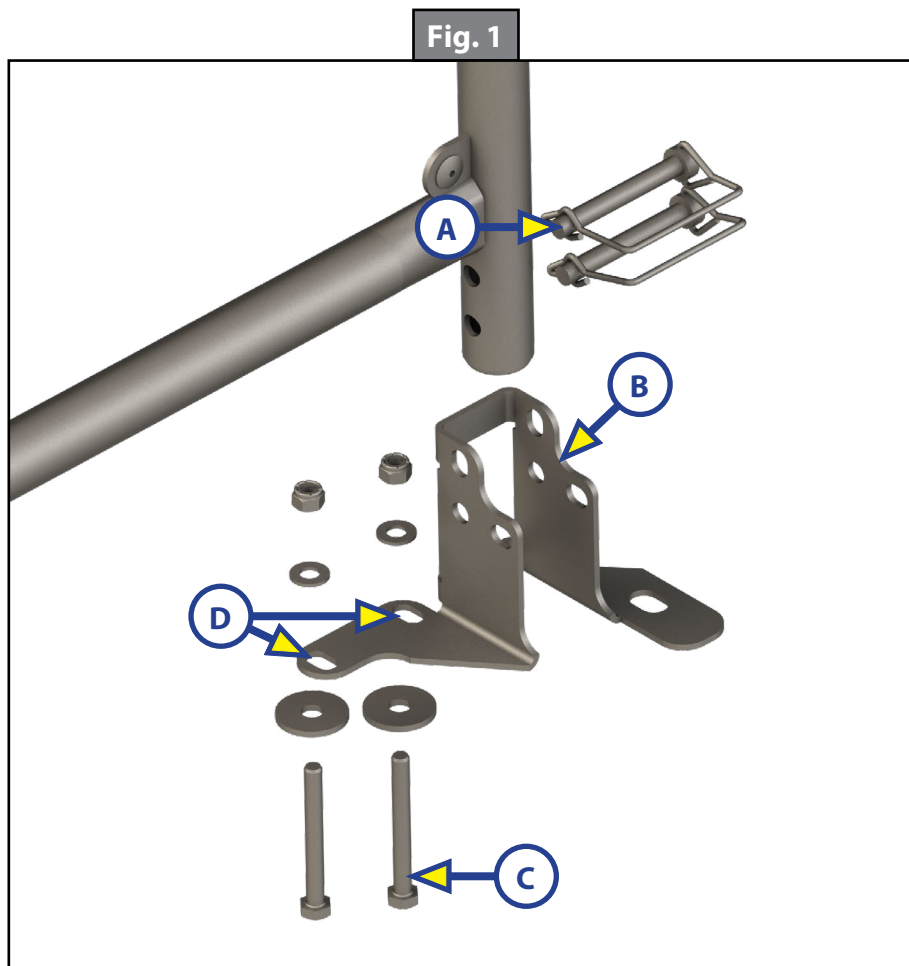
- Electric or cordless drill or screw gun
- 1/2" wrench or socket
- 1/4" drill bit (for pilot holes)

Preparation

When replacing an anchor bracket, it is advisable to prop up the patio rail while switching out the anchor brackets.

Procedure

1. Remove the snapper pins (Fig. 1A) from the anchor bracket (Fig. 1B) that is being replaced and set aside for later reuse.
2. Use a 1/2" wrench or socket to unscrew the fasteners (Fig. 1C) securing the anchor bracket to the door. Set removed mounting hardware aside for later reuse.

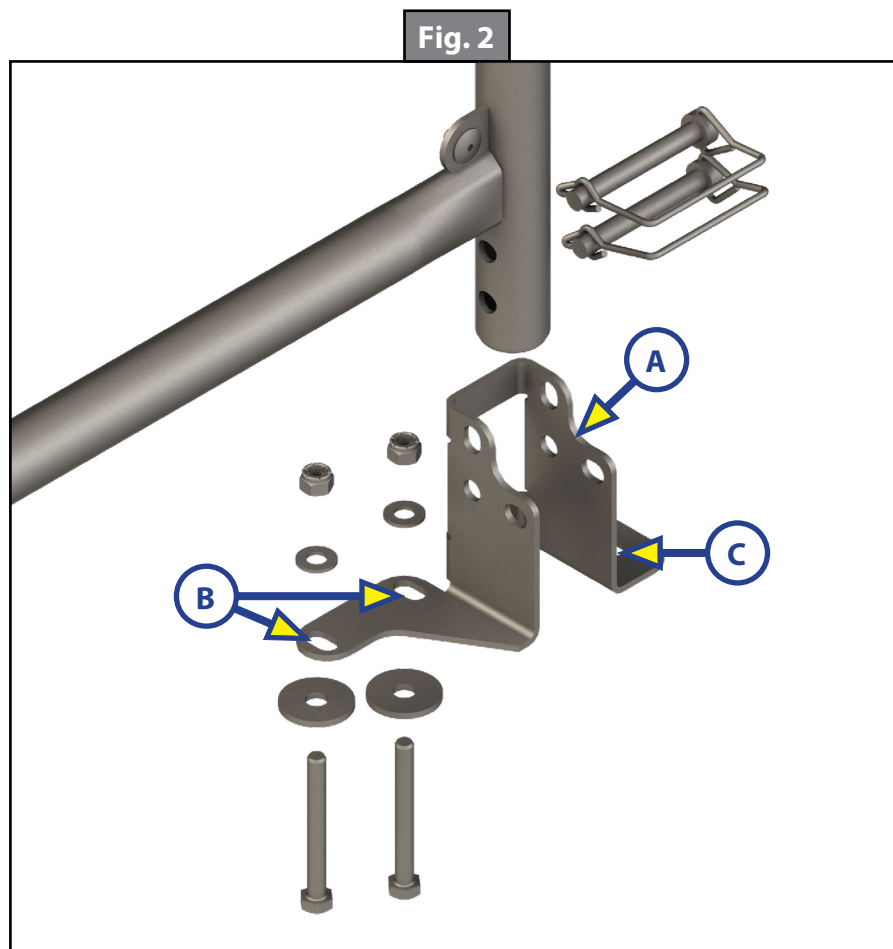


DOORS

- Remove the anchor bracket that is being replaced and insert the new anchor bracket (Fig. 2A) in its place.

NOTE: When placing the new anchor bracket, two out of the three necessary mounting holes will line up with holes that already exist in the door (Figs. 1D and 2B).

- In the two holes that line up properly, reuse the same mounting hardware from the old anchor bracket to secure the new anchor bracket.
- For the mounting hole on the new anchor bracket (Fig. 2C) that does not line up with an existing hole, use the new anchor bracket as a template to drill a $\frac{1}{4}$ " through-hole into the extrusion.
- Insert the remaining $\frac{1}{4}$ " bolt into the new hole to secure the anchor bracket to the extrusion. Reinstall rail into new anchor bracket and secure with previously removed snapper pins.
- Using a $\frac{1}{4}$ " bolt, washers, and nut, plug the previously used hole left from the old anchor bracket.



As a supplier of components to the RV industry, safety, education and customer satisfaction are our primary concerns. Should you have any questions, please do not hesitate to contact us at (574) 537-8900 or by email at customerservice@lci1.com. Self-help tips, technical documents, product videos and a training class schedule are available at lci1.com or by downloading the MyLCI app.