

Fig. 1 - Wireless Remote Module Part #165257

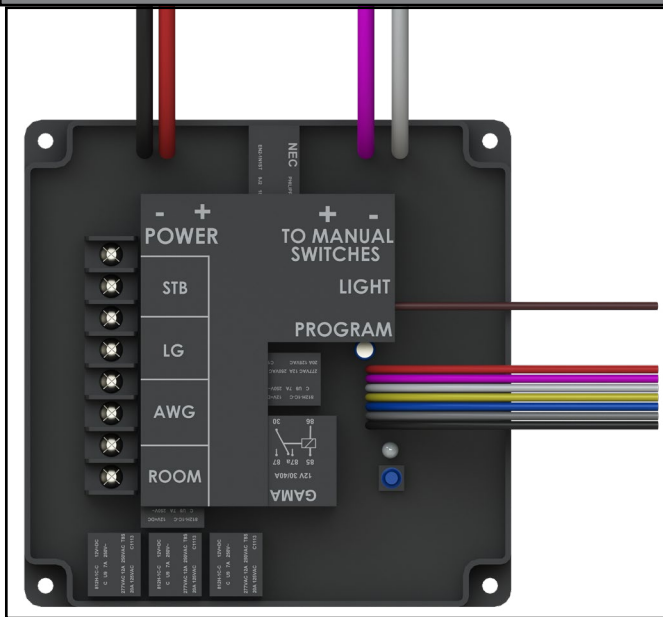


Fig. 2 - Wireless Remote Key Fob Part #179839

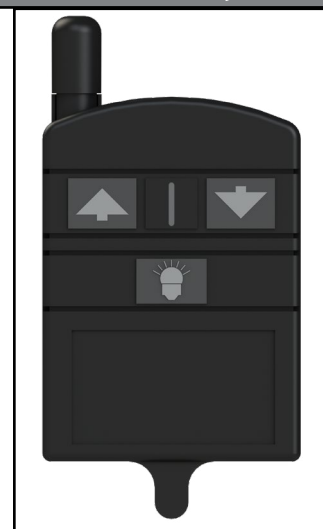
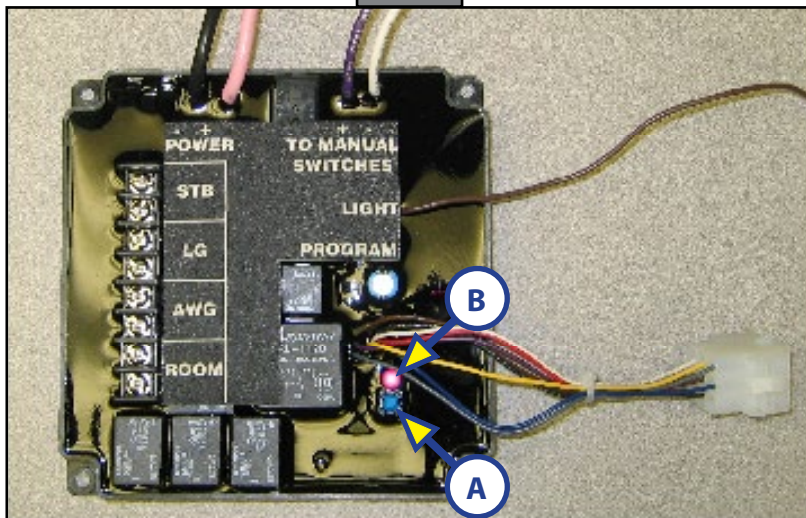
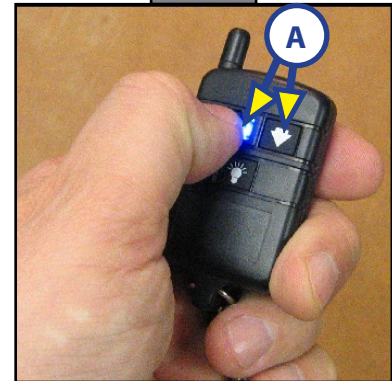


Fig. 3



1. Push and hold blue reset button (Fig. 3A) on wireless remote module for approximately 5 seconds until red light (Fig. 3B) illuminates.

Fig. 4



2. Push and hold either arrow button (Fig. 4C) on the key fob for approximately 3 seconds until the red light on the module goes out.
3. Key fob is now reset.

As a supplier of components to the RV industry, safety, education and customer satisfaction are our primary concerns. Should you have any questions, please do not hesitate to contact us at (574) 537-8900 or by email at customerservice@lci1.com. Self-help tips, technical documents, product videos and a training class schedule are available at www.lci1.com or by downloading the MyLCI app.