

- 14 Pin Harness:
- Pin# 1 (Purple) = Pump Extend
  - Pin#2 (Orange) = Pump Retract
  - Pin#3 (Green) = Sense Line
  - Pin#5 (Brown) = Front Jacks Valve
  - Pin#8 (Blue) = Left Rear Jack Valve
  - Pin#11 (Grey) = Right Rear Jack Valve

Blue: Air Dump  
Pin #1  
Provides Timed Output  
of 12VDC to Air Exhaust Valve  
(Optional. Used Only on Diesels)

Yellow: Ignition  
Pin #2  
+12VDC from Ignition  
when Ignition is "On"

White/Orange: Park Brake  
Pin #3  
Connected to Ground When  
Brake is Set "On"

Red: +12VDC  
Pin #4  
Battery Positive

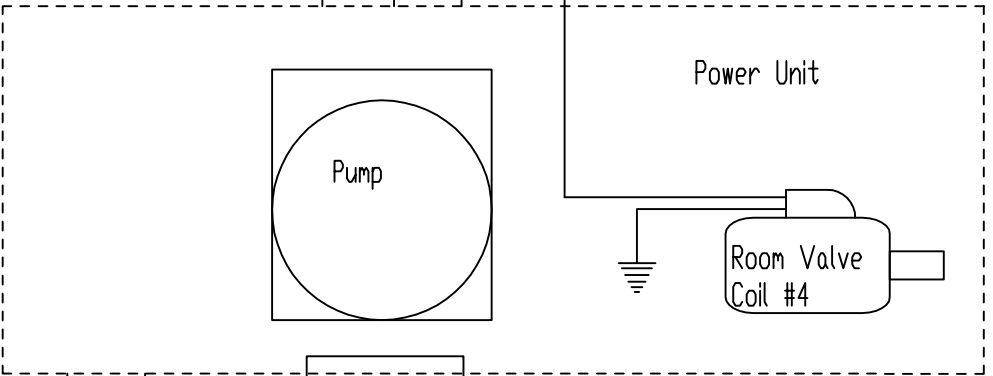
Black: -12VDC  
Pin #5  
Ground

Red Lead  
(+12VDC)

Green Lead

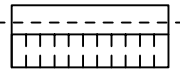
Blue Lead

Yellow Lead



Ignition  
Harness

6 Pin Connector  
(Pin #6 is not used)



16 Pin Connector

