

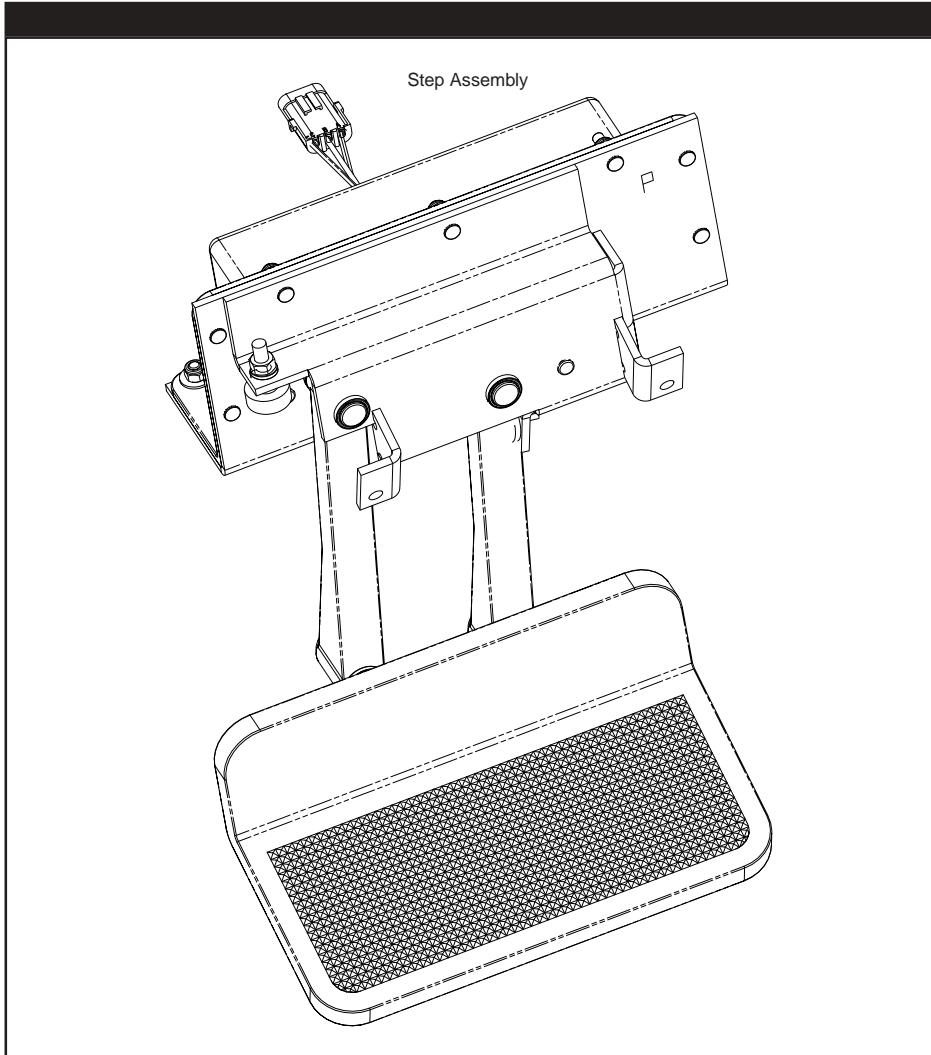
SIDEWINDER

AUTOMATIC FOLDING STEP SYSTEM

INSTALLATION INSTRUCTIONS

FOR KITS
950100, 950101,
950150, 950151

Fits All 1983-1997 Ford Pickups and Ford Broncos
and 1988-1991 Chevrolet Blazers
and Suburbans w/ LIFTED suspensions



Step Assembly

TOOLS REQUIRED FOR INSTALLATION

- Safety glasses
- 1/4" nut driver or socket
- 7/16" combination wrench or socket
- 1/2" combination wrench or socket
- 3/16" hex key (Allen wrench)
- 3/8" minimum electric drill
- Drill bits - 1/8"
 - 5/32"
 - 3/16"
 - 7/32"
 - 5/16"
 - 3/8"
- Phillips screwdriver (medium)
- Wire cutters
- Crimping tool for electrical wire fasteners
- Volt/Ohm meter or continuity tester (optional)
- Steel measuring tape
- Pencil
- Level
- Hammer
- Center punch

HARDWARE KIT

Mounting Hardware (950100, 950101, 950150, 950151)

- | | | |
|---|--------------------------------|----------------------------|
| 2 | Rear mounting brackets | -18 x 3/4" |
| 2 | Rear angle short brackets | 6 Hex bolts 5/16"-18 x 1" |
| 2 | Front mounting adapters (Ford) | 4 1/4"-20 Nylock |
| 1 | Rear left bracket | 4 Flat washers 1/4" |
| 1 | Rear right bracket | 8 Split Lock washers 5/16" |
| 1 | Rear cross member bracket | 8 Hex nuts 5/16"-18 |
| 2 | Button-head cap screws 5/16" | 14 Flat washers 5/16" |

CAUTION: Before beginning any installation procedure, read all instructions carefully. Before drilling any holes make sure there is sufficient clearance on both sides

Mounting the Sidewinder™ to your vehicle

NOTE: For all 1983-on FORD Crew-Cab Pickups, use Figures A and C. For all other models, use Figures B & D.

FORD CREW CABS ONLY

STEP 1. Measure 22" from the rear edge of the door, toward the front of the vehicle (see *Figure A*) for the first bolt hole location.

STEP 2. Assemble the front adapter brackets to the front of the main bracket using the 5/16-18 x 1" hex head bolts and tighten. Hand-assemble the rear mounting brackets to the rear of the main bracket. Do not tighten.

STEP 3. Place the step in position, resting the adapter bracket on the lip (see *Figure A*). Locate the center of the hole in the adapter bracket with the alignment mark from STEP 1. Mark the holes and go to STEP 4.

ALL EXCEPT CREW CABS

STEP 1. Measure 17 1/2" from the rear edge of the door, toward the front of the vehicle (see *Figure B*) for the first bolt hole location.

STEP 2. Hand-assemble the rear mounting brackets to the rear of the main bracket. Do not tighten.

STEP 3. Place the step in position, resting the front of the main bracket on the lip (see *Figure B*). Locate the center of the hole in front of the main bracket with the alignment mark from STEP 1. Mark the holes and go to STEP 4.

STEP 4. Drill mounting holes and install the two 5/16-18 x 3/4" button-head cap screws. Temporarily tighten the main bracket into position.

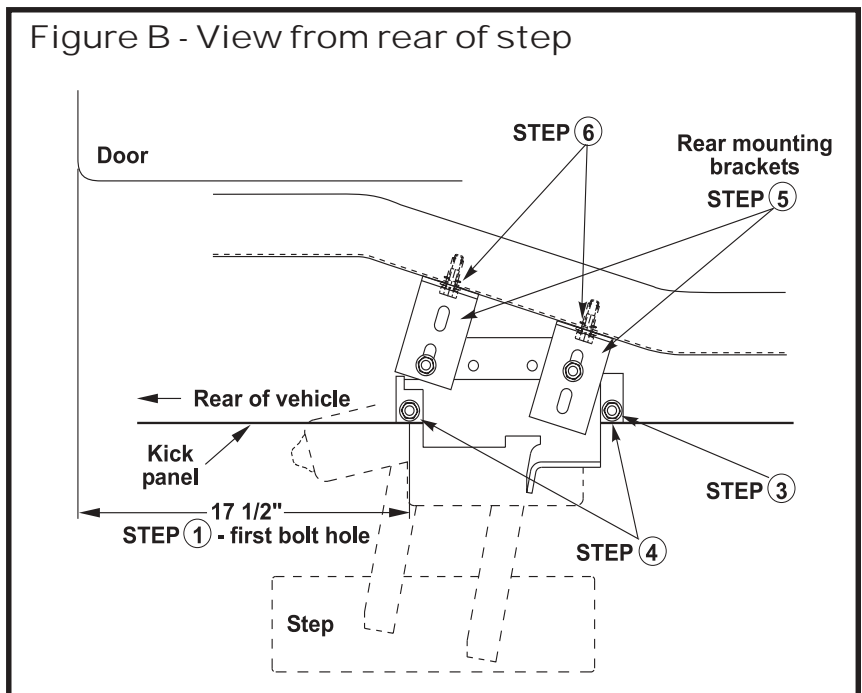
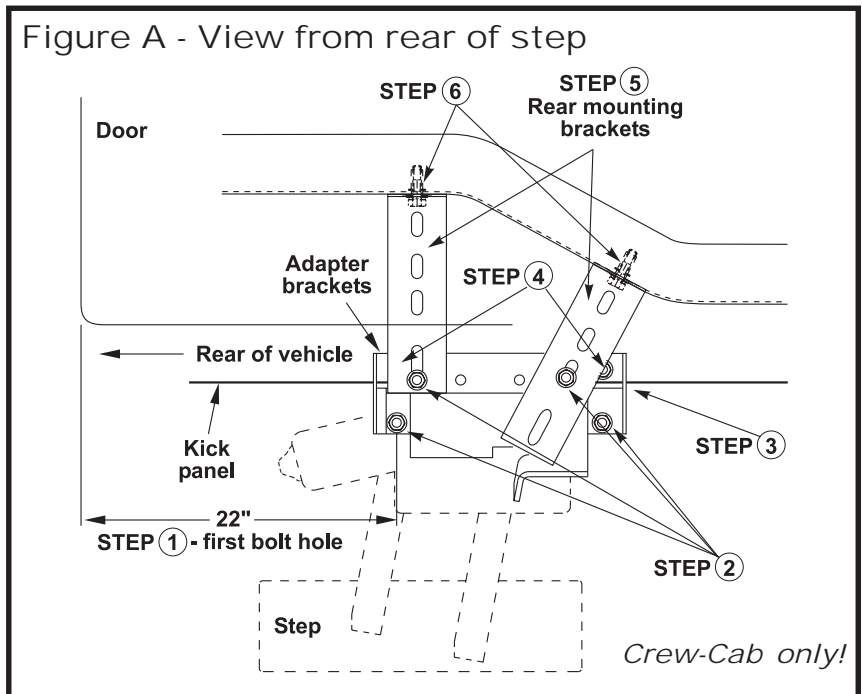
STEP 5. Position the rear mounting brackets for the best fit. The step should be level or tilted slightly up at its outside edge. Mark holes for drilling.

STEP 6. Remove the step and drill the rear mounting bracket holes.

STEP 7. Place the step in position, and install all required bolts. Use 5/16-18 x 1" hex head bolts on all rear mounting brackets. Snug by hand.

STEP 8. Level the step as noted in STEP 5 and tighten the rear mounting bracket bolts.

STEP 9. Tighten all remaining bolts.



Mounting the Sidewinder™ to your vehicle

1999 FORD SUPER DUTY

STEP 1: Measure 22" from the rear edge of the front door along bottom edge towards front of vehicle for the first bolt hole location. Mark with a scribe or pen.

For Rear Door Applications on Extended and Crew Cab Pickups, measure 18" from the rear of the rear door to mark the placement of the first bolt hole.

STEP 2: Hand assemble the rear mounting bracket to the rear of the main bracket. Do not tighten.

STEP 3: Place the step in position, aligning the bottom edge of the bracket tabs with the bottom edge of the pinch weld on the vehicle. Locate the center of the rearmost hole in the bracket tabs on the mark made in STEP 1. Position the rear mounting bracket so that the top face fits against the underside of the body support channel. Mark the remaining front bolt hole location.

STEP 4: Drill the front mounting holes, and install the two (2) 5/16-18 x 3/4" button head cap screws. Temporarily tighten the main bracket into the position.

STEP 5: Position the rear mounting bracket for the best fit. The step should be level or tilted slightly upward at its outside edge. Mark the hole for drilling.

STEP 6: Remove the step, and drill the rear mounting hole through the support channel. Install the threaded insert through the outer skin of the support channel. It is recommended that a disposable threaded insert tool, part #907555 be purchased from Kodiak and used to assist the installation of the inserts. See instructions included with the tool for proper installation.

STEP 7: Place the step in position, and install all required bolts. Snug by hand.

STEP 8: Level the step as noted in STEP 5 and tighten the rear mounting bracket bolts.

STEP 9: Tighten all remaining bolts.

Continue the installation process by following the steps outlined in the Wiring Instruction Manual.

