

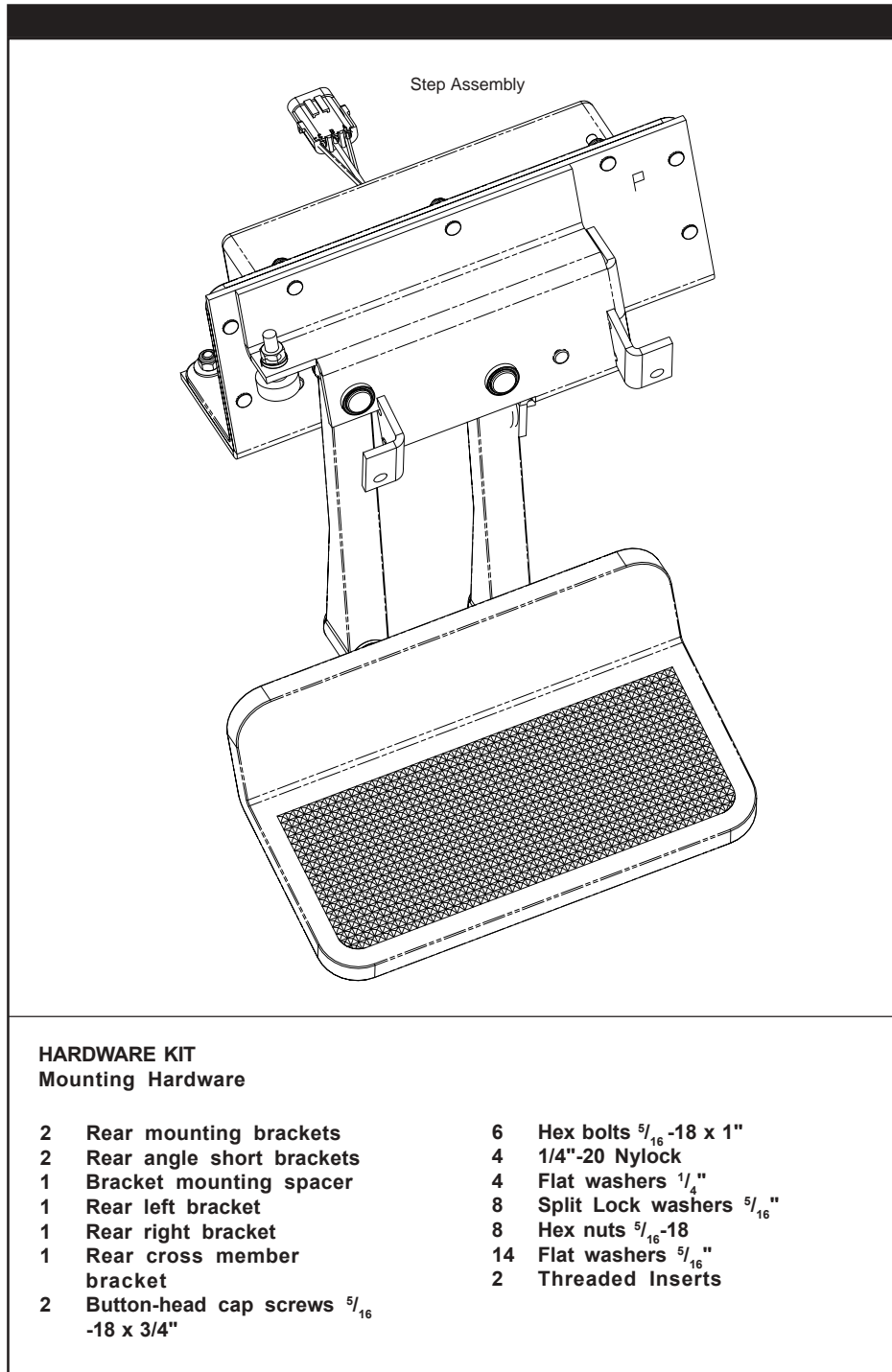
SIDEWINDER

AUTOMATIC FOLDING STEP SYSTEM

INSTALLATION INSTRUCTIONS

FOR KITS
950202, 950203

Fits All 1994 - on Dodge Pickups



TOOLS REQUIRED FOR INSTALLATION

- Safety glasses
- 1/4" nut driver or socket
- 7/16" combination wrench or socket
- 1/2" combination wrench or socket
- 3/16" hex key (Allen wrench)
- 3/8" minimum electric drill
- Drill bits - 1/8"
 - 5/32"
 - 3/16"
 - 7/32"
 - 5/16"
 - 3/8"
- Phillips screwdriver (medium)
- Wire cutters
- Crimping tool for electrical wire fasteners
- Volt/Ohm meter or continuity tester (optional)
- Steel measuring tape
- Pencil
- Level
- Hammer
- Center punch

HARDWARE KIT

Mounting Hardware

- | | | | |
|---|--|----|--------------------------|
| 2 | Rear mounting brackets | 6 | Hex bolts 5/16"-18 x 1" |
| 2 | Rear angle short brackets | 4 | 1/4"-20 Nylock |
| 1 | Bracket mounting spacer | 4 | Flat washers 1/4" |
| 1 | Rear left bracket | 8 | Split Lock washers 5/16" |
| 1 | Rear right bracket | 8 | Hex nuts 5/16"-18 |
| 1 | Rear cross member bracket | 14 | Flat washers 5/16" |
| 2 | Button-head cap screws 5/16"-18 x 3/4" | 2 | Threaded Inserts |

CAUTION: Before beginning any installation procedure, read all instructions carefully. Before drilling any holes make sure there is sufficient clearance on both sides

MOUNTING THE SIDEWINDER™ TO YOUR VEHICLE

NOTE: For STEP 1 thru STEP 8, see Figures A & B.

STEP 1. Measure 30¹/₂" (Standard Cab) or 50¹/₂" (Club Cab) from the rear of cab, toward the front of the vehicle, and ⁷/₁₆" up from the bottom of the kick panel (see Figures A & B) for the first bolt location. From this point, measure 7" over and ⁷/₁₆" up for the second bolt hole location. Drill holes.

STEP 2. Hand-assemble the spacer and rear mounting brackets to the rear of the main bracket with ⁵/₁₆-18 x 1" hex head bolts. Do not tighten.

STEP 3. Place the step in position, and install the two (2) ⁵/₁₆-18 x ³/₄" button-head cap screws. Temporarily tighten the main bracket into position.

STEP 4. Position the rear mounting brackets for the best fit. The step should be level or tilted slightly up at its outside edge. Mark holes for drilling (Figures A & B).

STEP 5. Remove the step, and drill the rear mounting bracket holes through the floor of the vehicle. Install the threaded inserts through the floor of the vehicle. It is recommended that a disposable threaded insert tool, Part #907555 be purchased from KODIAK® and used to assist installation of the inserts. See instructions included with the tool for proper installation.

Continued next page

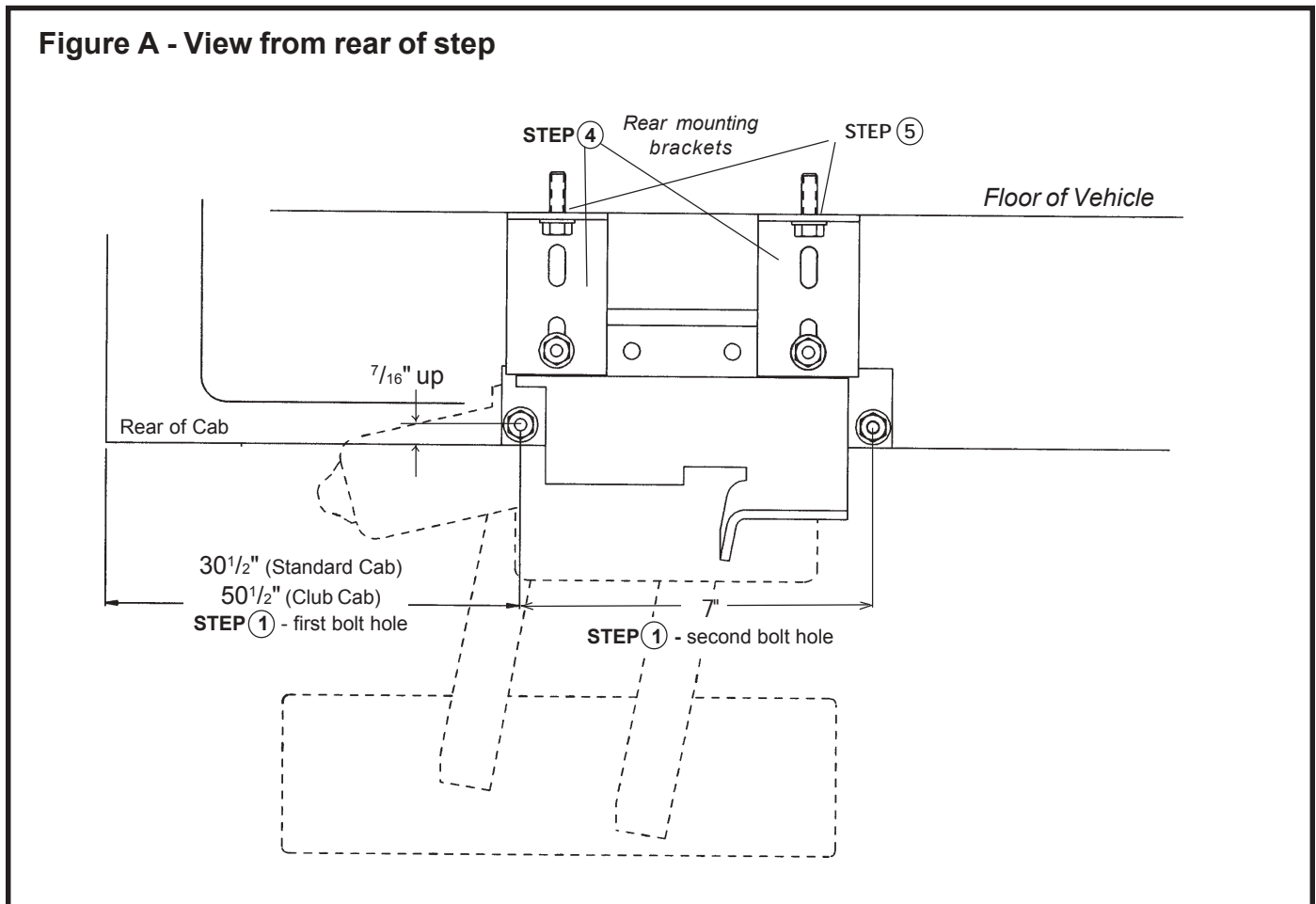
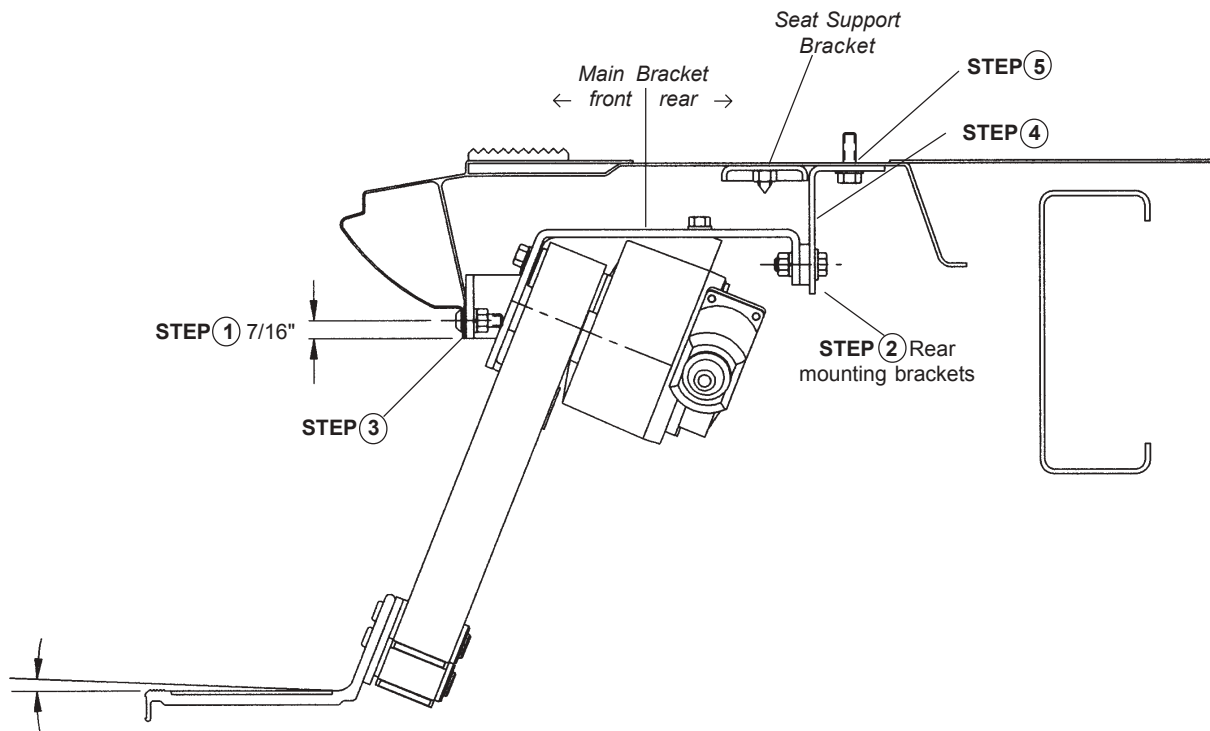


Figure B - View from rear of vehicle



STEP 4 & STEP 7

The step tread should be level or tilted slightly upward no more than 2°.

STEP 6. Place the step in position and install all required bolts. Use $\frac{5}{16}$ -18 x 1" hex head bolts on all rear mounting brackets. Snug by hand.

STEP 7. Level the step as noted in STEP 4 and tighten the rear mounting bracket bolts.

STEP 8. Check for any obstructions to the step, make adjustments if required, and tighten all bolts. The step installation is now complete. Proceed to the Step-Operating Door Switch Installation Instructions.

Continue the installation process by following the steps outlined in the Installation Addendum.