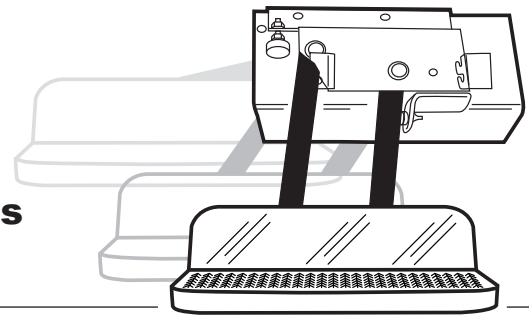


Installation Instructions



Fits:

- 2000-06 Toyota Tundra
 - (regular and access cab)
- 2001-06 Toyota Sequoia
 - (front doors only)
- 1995-04 Toyota Tacoma
 - (regular and access cab)

For Kodiak Kits

- #950310000 (driver side, silver)
- #950310100 (driver side, black)
- #950311000 (passenger side, silver)
- #950311100 (passenger side, black)

Fasteners Key: This kit may not require all fasteners shown in the following diagram. Refer to Fastener Kit chart above and instructions for specific fasteners used in this installation.

- A** 5/16 -18 x 3/4 or 1 Button head socket cap screw
- B** 5/16 -18 x 1 Hex head cap screw
- C** 1/4 -20 x 1 Hex head cap screw
- D** 5/16 Flat washer
- E** 1/4 Flat washer
- F** 5/16 Split lock washer
- G** 1/4 Split lock washer
- H** 5/16 - 18 Hex nut
- I** 1/4 -20 Nylock hex nut
- J** 1/4 - 20 Nut-sert
- K** 1/4 - Self-tapping screw

Tools required for installation

- Safety glasses
- Combination wrench and socket: 7/16" and 1/2"
- 3/16" Allen wrench
- 3/8 or 1/2" drive electric drill
- Drill bits: 1/8", 1/4", 5/16", 3/8"
- Phillips screwdriver
- Wire cutters
- Crimping tool for elec. terminals
- Measuring tape
- Marker or scribe
- Level
- Hammer
- Center punch

Fastener Kit Required

Fastener Key Letter	Quantity
A	4
B	4
C	n/a
D	14
E	4
F	10
G	n/a
H	10
I	4
J	n/a
K	n/a

REAR BRACKET ATTACHMENT

Step 1) Attach the rear brackets to the step as shown in **Figure 1**, using a washer (E), and nut (I) on each stud. Tighten each nut.

Step 2) Place the cross member in position as shown in **Figure 2**, and secure using washers (D) and (F), and one nut (H) on each stud. Leave fasteners loose, as the bracket slots will be used to determine exact fit of rear upright bracket.

ATTENTION:

Before beginning any installation procedure, read all instructions carefully.

Before drilling any holes make sure there is sufficient clearance on both sides.

Hardware in each Kit

- 1 Step Assembly
- 1 Left rear mounting bracket
- 1 Right rear mounting bracket
- 1 Rear crossmember angle bracket
- 2 Short angle brackets
- 1 Fasteners Kit

Step Hardware

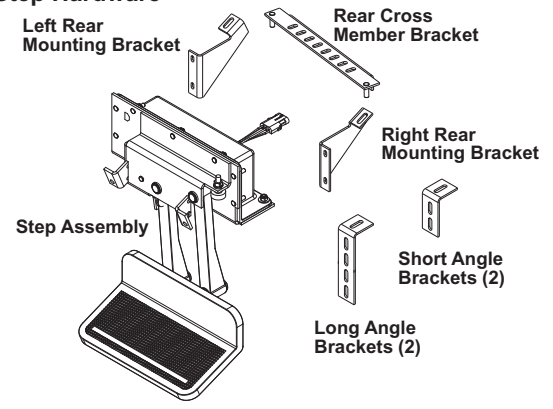


Figure 1

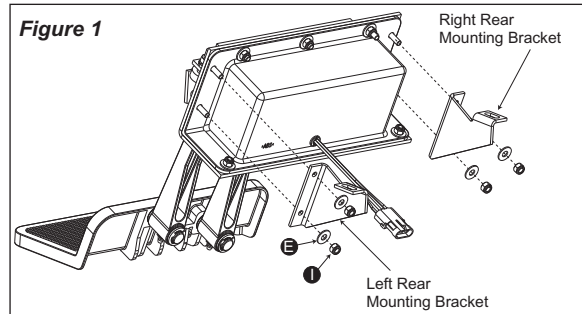


Figure 2

