

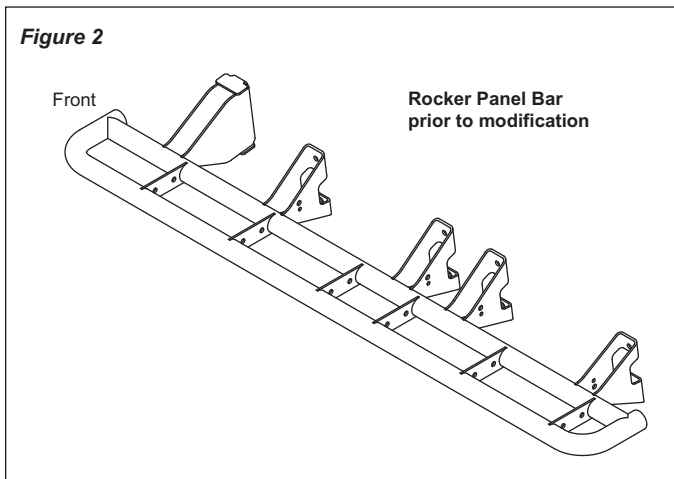
Attach Rear Bracket

Step 1) Attach the rear mount bracket and the front frame bracket to the step assembly as shown in **Figure 1**, using a 1/4" washer (E) and a 1/4" Nylock hex nut (I) on each stud. Leave fasteners loose to adjust brackets in Step 6.

Remove Rocker Panel Bar

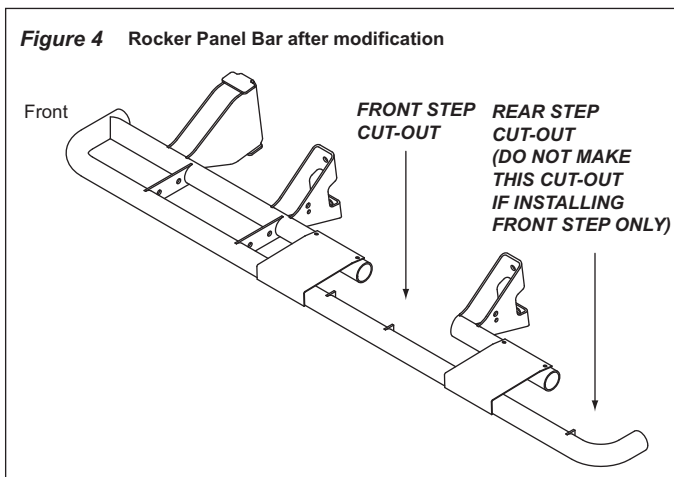
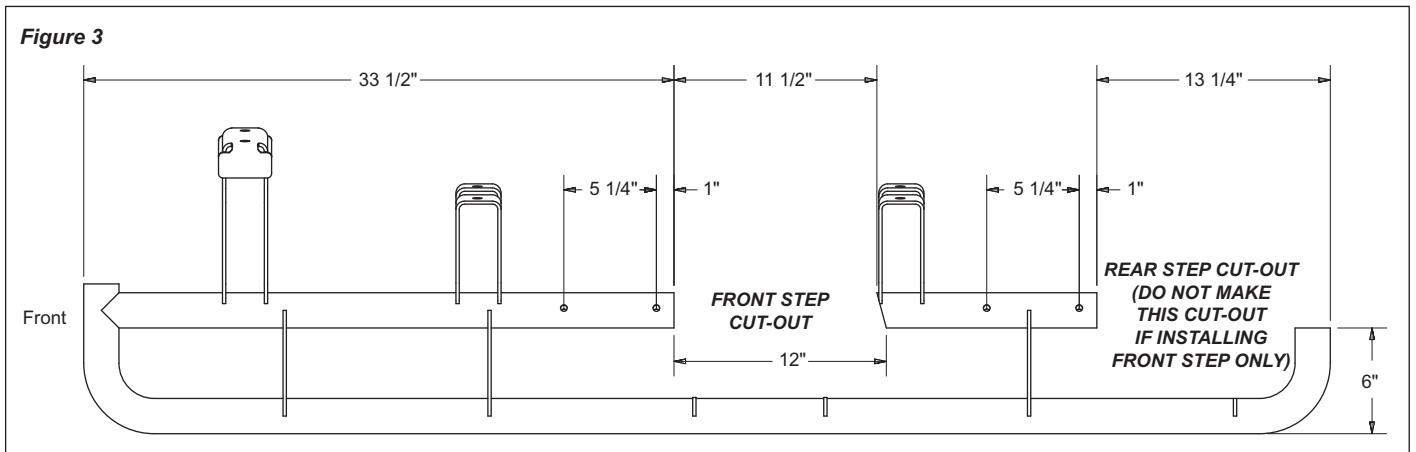
Step 2) (Driver side only.) Remove bolt holding small bracket to 4th frame bracket from the front on rocker panel bar. **Note:** This bracket is on the driver side only.

Remove 10 bolts holding rockert panel bar to frame. Remove rocker panel bar from vehicle. **Figure 2** shows rocker panel bar prior to modification.



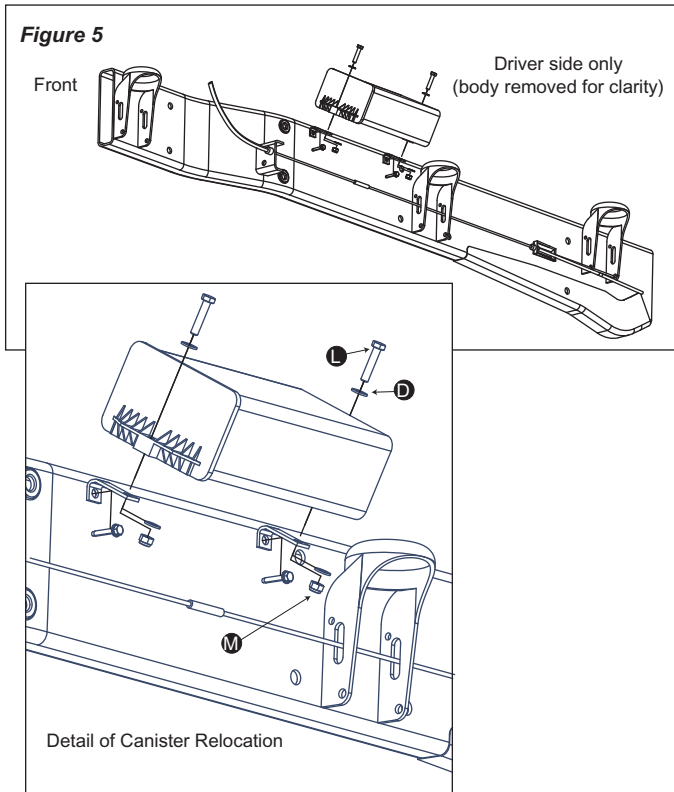
Modify Rocker Panel Bar

Step 3) Modify rocker panel bar by making cuts as shown in **Figure 3**. **Note:** The front cutout is for the front door step installation and the rear cutout is for the rear door step installation. Make only the cuts necessary for each step installation. Coat the cut areas of the bar with a rust preventative paint or an equivalent product.



Step 4) Using a 5/16" drill bit, drill the necessary step mounting holes in the rocker panel bar using the drill template provided and the dimensions shown in **Figure 3**. See **Figure 4** for drill template orientation.

Figure 5



Relocate Canister (Driver side front door only)

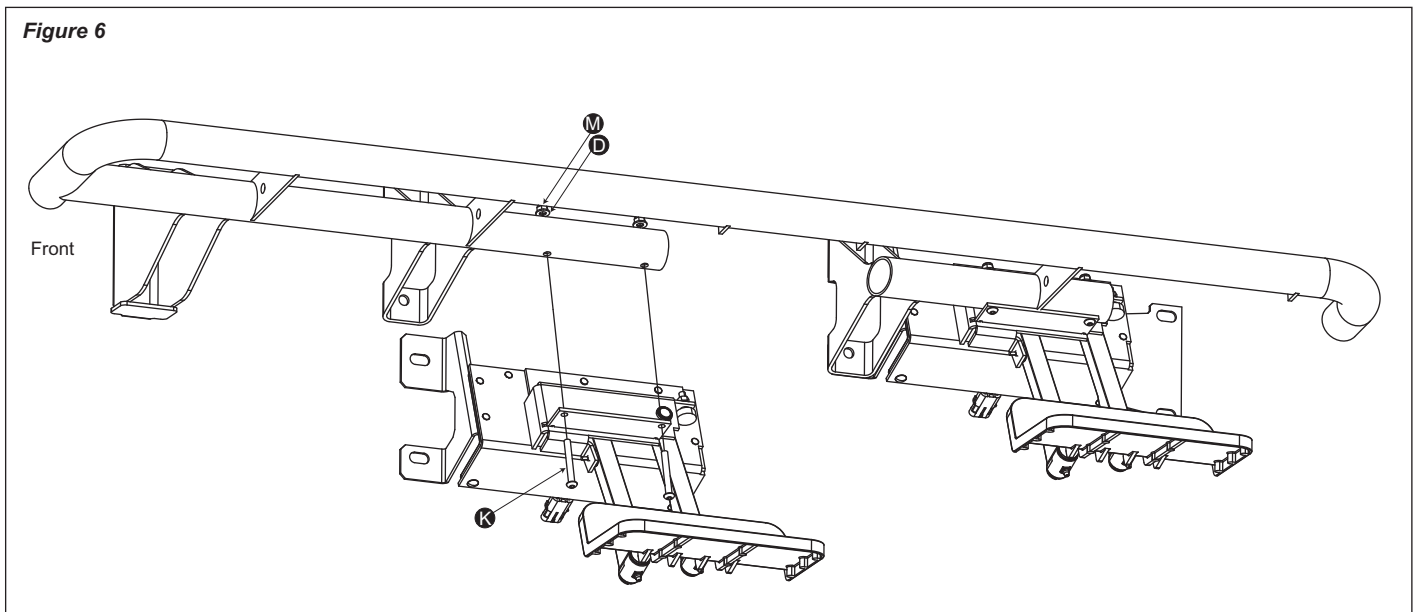
Step 5) (Driver side front door only) Remove two bolts holding rectangular canister to frame under driver side front door. Install two canister relocation brackets as shown in **Figure 5** using original canister bolts. Install canister onto the two relocation brackets using two 5/16-18 X 1 1/2" hex head cap screws (L), four 5/16" flat washers (D), and two 5/16" Nylock hex nuts (M). While relocating canister, reroute hoses if necessary.

Install Step

Step 6) Mount the step to the rocker panel bar using two 5/16-18 X 3" bolts (K), two 5/16" flat washers (D), and two 5/16" Nylock hex nuts (M), as shown in **Figure 6**. Bolts may also be installed with the head facing up for additional body clearance if necessary.

Adjust front frame mount bracket to line up mounting holes with mounting holes in rocker panel bar. Tighten fasteners holding front frame mount bracket to step assembly.

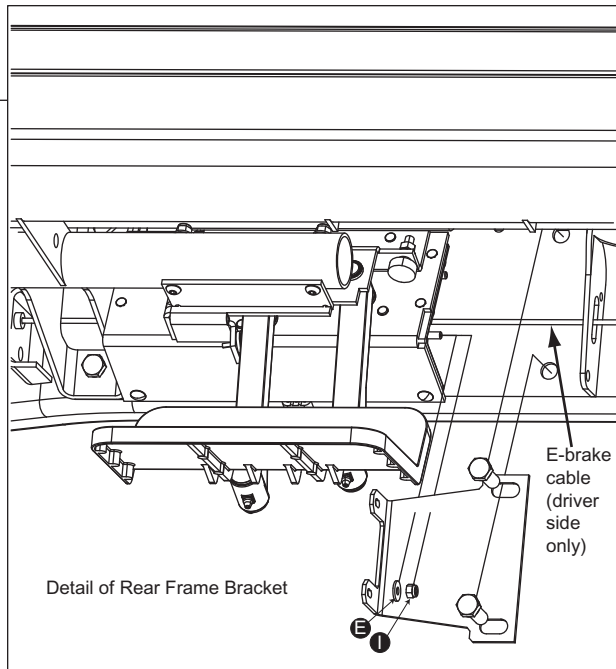
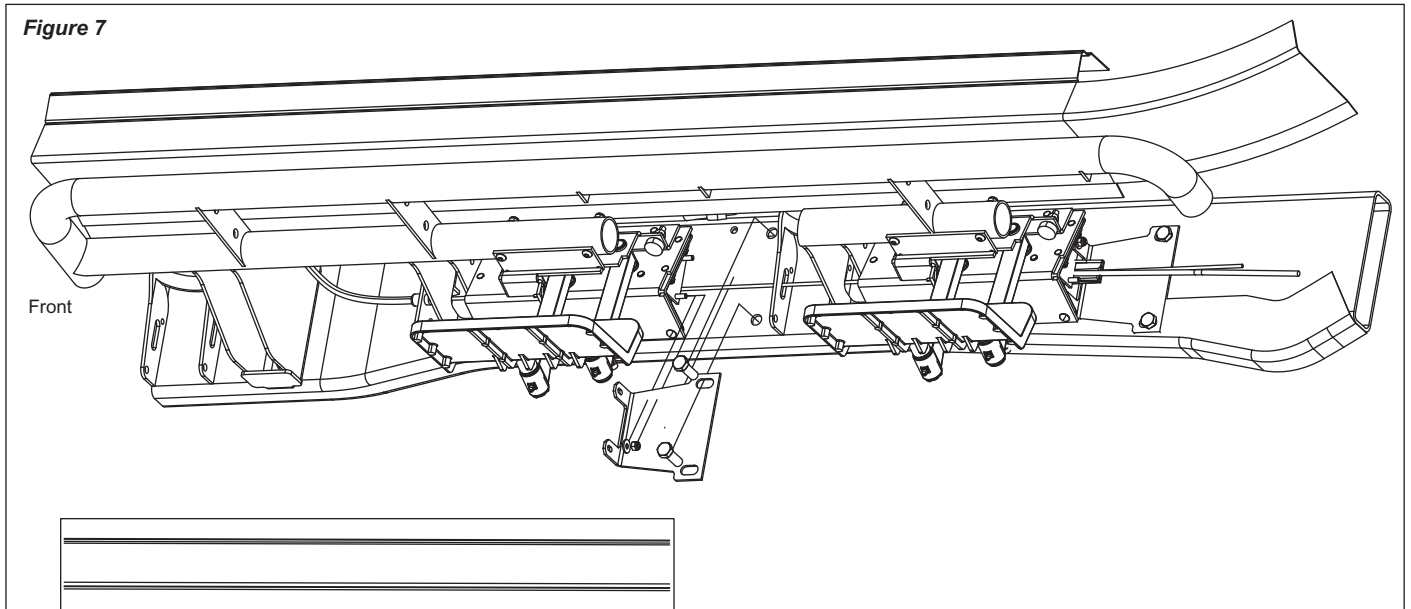
Figure 6



Step 7) Lift rocker panel bar, with step assemblies and brackets attached, up to the vehicle frame. Fasten this assembly to the frame using 6 of the original rocker panel bar bolts. **Note:** Save the four extra bolts for installation of the rear frame bracket in Step 8.

Reinstall small bracket, which was removed in Step 2, to the fourth frame bracket on the rocker panel bar, using the original bolt removed in Step 2. **Note:** This bracket is on the driver side only.

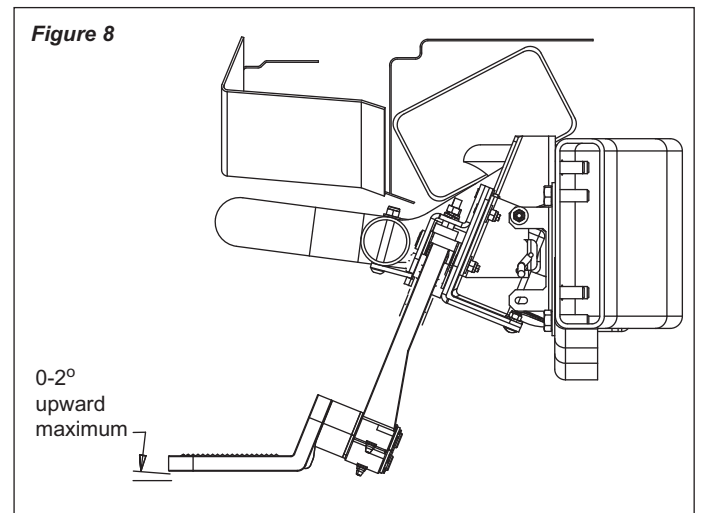
Figure 7



Step 8) Mount the rear frame bracket to the frame as shown in **Figure 7**, using two of the original rocker panel bar bolts. Install a 1/4" washer (E) and a 1/4" Nylock hex nut (I) onto the rear mount bracket stud as shown in **Figure 7**.

Note: On the driver side, the e-brake cable will route between the back of the step body and in front of the rear frame bracket.

Step 9) Level the step tread so that it is parallel to the ground or tilted slightly upwards no more than 2 degrees (see **Figure 8**). To accomplish this, adjust the rear mounting brackets. When the step is level, tighten all fasteners.



Check for any obstructions to the step. Complete the installation of the door switch and electrical connections, as detailed in the **Wiring Instructions and Installation Addendum**.