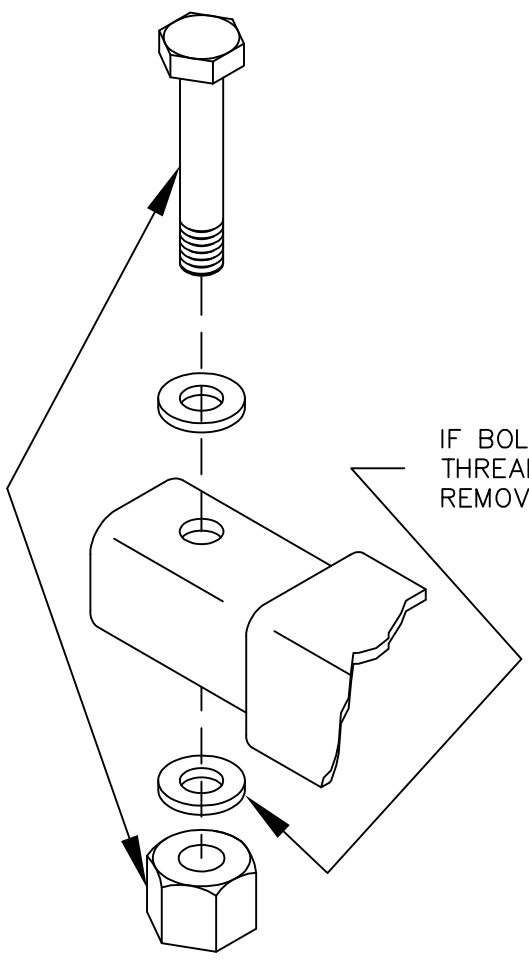


FLAT END
TOWARD TUBING

SCALE 2:1

TREADED END/ROUNDED END
AWAY FROM TUBING

SPECIALLY DESIGNED HARDWARE



IF BOLT DOES NOT
THREAD INTO NUT,
REMOVE THIS WASHER.