



# T.I.P. Troubleshooting Information on Power Gear

Date: \_\_\_\_\_  
 Auditor: \_\_\_\_\_  
 Company: \_\_\_\_\_

## SPORTSCOACH SLIDE-OUT CHECK LIST

VERSION 1 - 30° RAMP

Unit number: \_\_\_\_\_

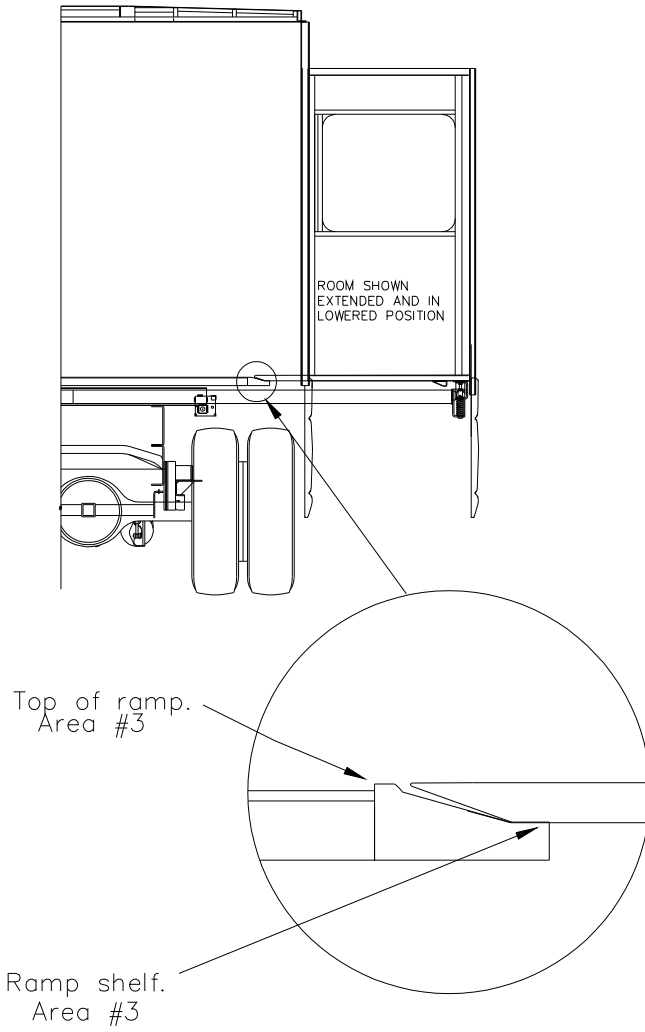
Unit **0319** Through

### AREAS TO CHECK

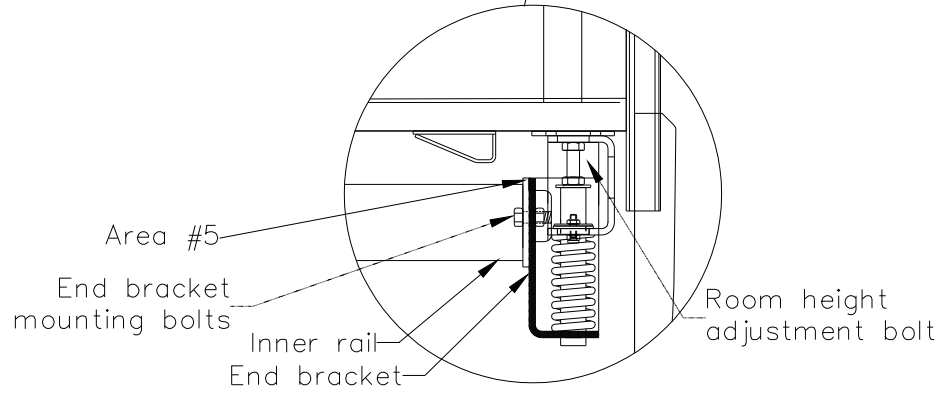
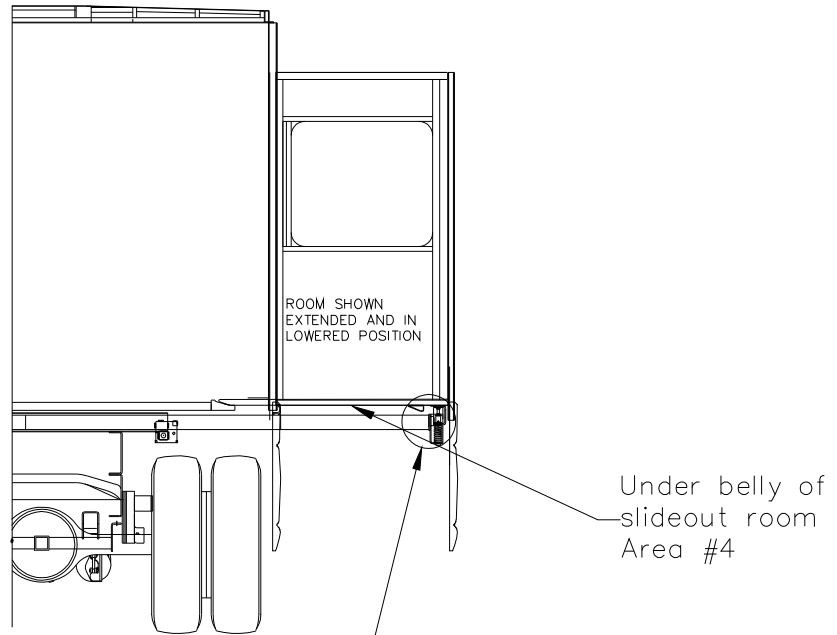
OK/REPLACE	Inspect	Concerns
	<u>Area #1</u> Drive shaft bolts:	Nuts on tubing should be torqued. Check for proper washer assembly. Reference: T.I.P. sheet #73
	<u>Area #2</u> Drive shaft mounting holes:	If drive shaft bolts are <b>not</b> tight or wrong washers are assembled, check mounting holes in drive shaft to insure that holes are not worn or elongated. If so, replace.
	<u>Area #3</u> Ramp condition:	Check ramp for any dents, humps, etc. at both the top of the ramp, as well as the shelf area. This can best be checked when slide-out room is extended.
	<u>Area #4</u> Darco material:	Check Darco underneath belly of slide-out room. Inspect for tears, worn areas, excess rubbing, etc. Poor ramp conditions and/or debris on or around the ramp area contribute to these conditions
	<u>Area #5</u> End bracket adjustment	The top of the end brackets should be mounted level with the top of the inner rails. This will ensure proper spring tension.
	<u>Area #6</u> Room mounting hardware:	Room mounting hardware attaching the room to the room mounting bracket should have at least 2 through bolts per bracket, and (6) 3/8" lag bolts minimum.
	<u>Area #7</u> Wedges:	Each wedge per room assembly should be 2" high. Note: some rooms assembled with 1.5" wedges may have Plywood shims. These assemblies should be replaced with 2" wedges.
	<u>Area #8</u> Room height adj. bolts:	Room height adjustment bolts Are to be 2.5".

Please attach any additional comments or observations.

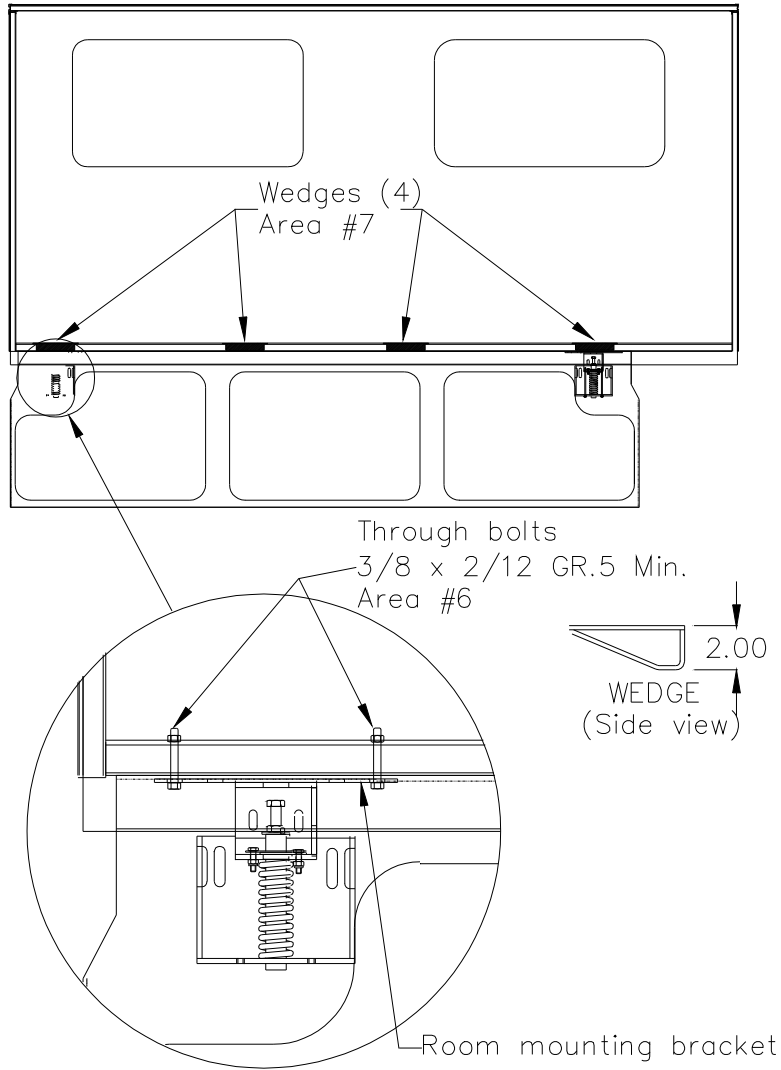
**AREA #3:**

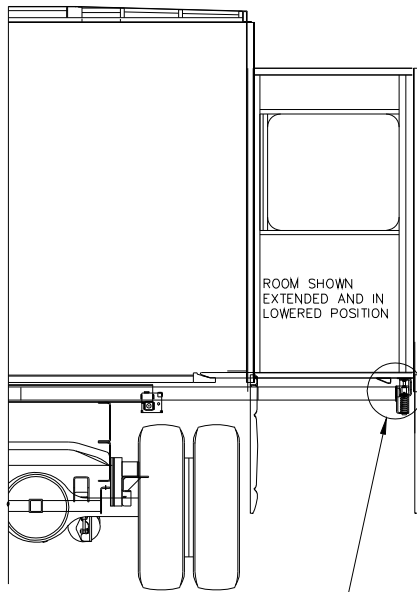


**AREA #4 & 5:**



**AREA# 6 & 7:**





Area #8  
Room height adjustment bolt  
Jamb nut

