



T.I.P. Troubleshooting Information on Power Gear

SPORTSCOACH SLIDE-OUT CHECK LIST

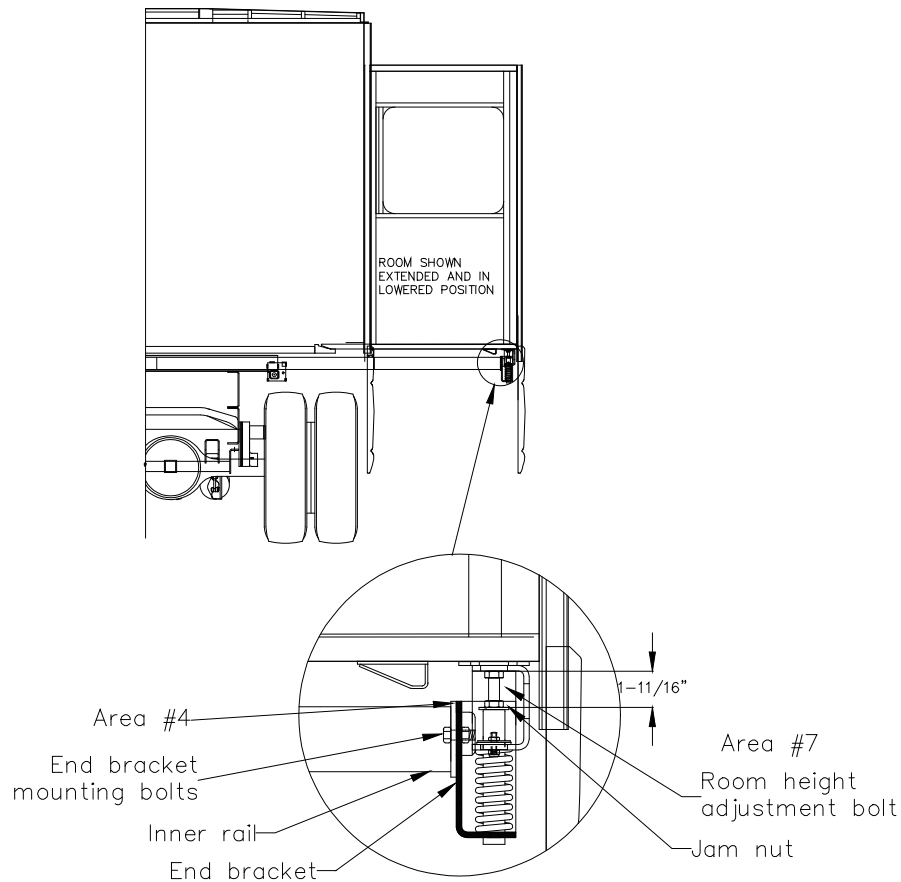
VERSION 1 - 30° RAMP

Unit # 0319 Through 2156

AREA #7

ROOM HEIGHT ADJUSTMENT BOLT REPLACEMENT PROCEDURE:

- Step 1) Extend slide-out room.
 - Step 2) Jack or lift up slide-out room until room is off room height adjustment bolt.
 - Step 3) Loosen jam nut and remove bolt. Install proper bolt with jam nut.
 - Step 4) Set bolt to 1-11/16" (ref. Drawing).
 - Step 5) Tighten jam nut
 - Step 6) Lower slide-out room.
- Note: 1-11/16" dimension is for reference only. Additional adjustments may need to be made.



TIP Sheet #99
82-S0069