



T.I.P. Troubleshooting Information on Power Gear

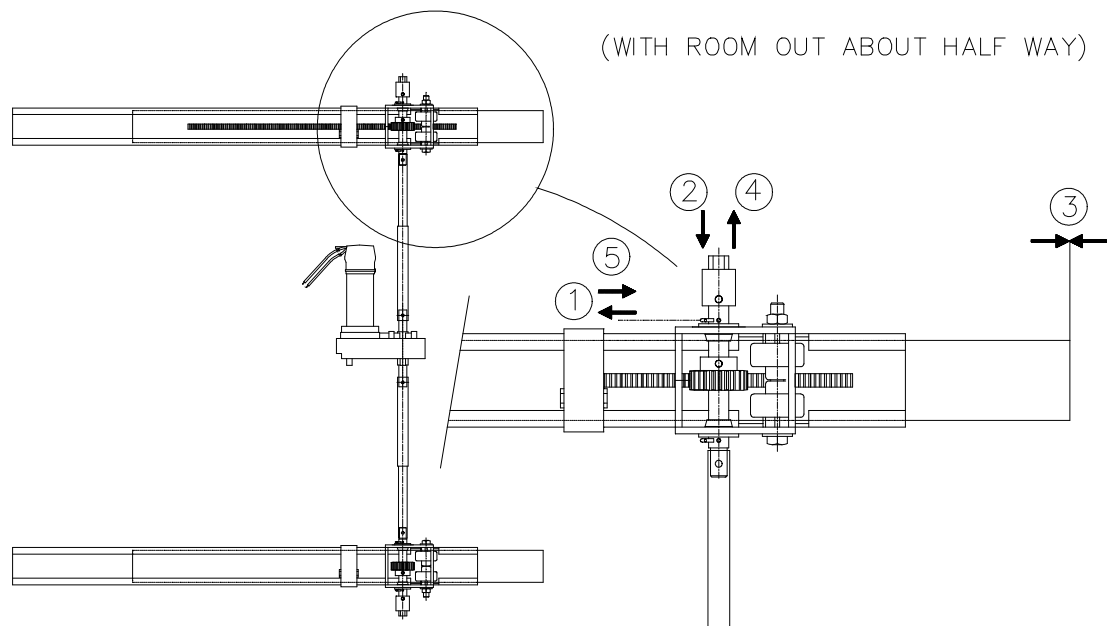
SYNCHRONIZING A 2 RAIL SLIDE-OUT ROOM

Should the slide-out room go out of synchronization this procedure will allow you to retime the room. Measure room synchronization from common solid points at each end of the room.

NOTE- This Tip Sheet does cover standard and flat floor slide-out systems.

To synchronize the room please refer to the Figure below.

TIMING SLIDE-OUT RAILS



With room about half way out release slide-out motor brake.

1. Pull the clip pin out.
 2. Slide the drive shaft assembly in to disengage gear from gear rack.
 3. Move slide-out inner rail in/out to desired location.
 4. Slide drive shaft assembly back into position.
 5. Push clip pin back into shaft.
- Before proceeding put slide-out motor brake lever back into "Engaged" position.