



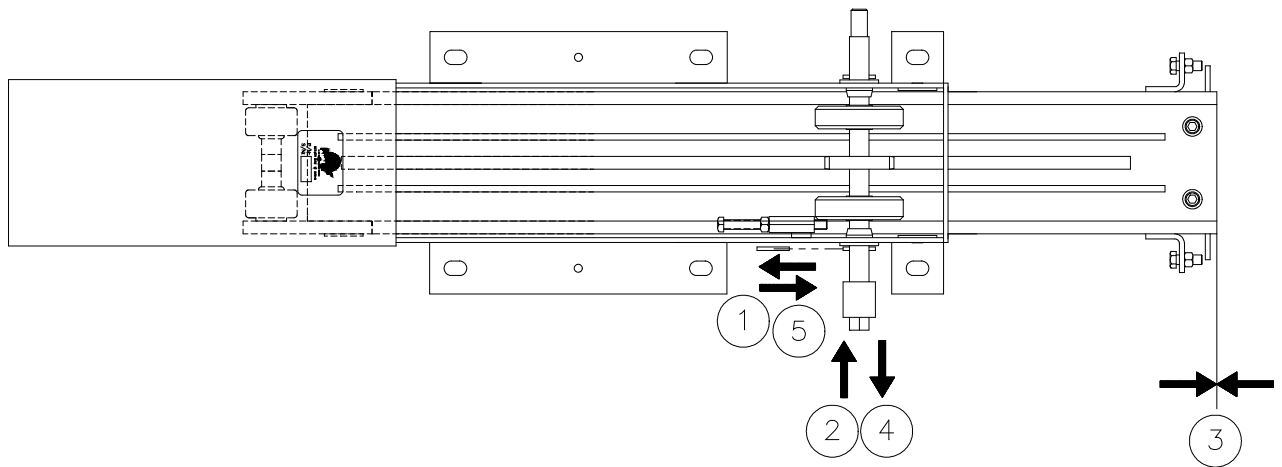
# T.I.P. Troubleshooting Information on Power Gear

## SYNCHRONIZING A 2 RAIL SLIDE-OUT ROOM

Should the slide-out room go out of synchronization this procedure will allow you to retime the room. Measure room synchronization from common solid points at each end of the room.

**NOTE- This Tip Sheet covers low profile slide-out systems.**

To synchronize the room please refer to the Figure below.



With room about half way out release slide-out motor brake.

1. Use a drift punch to tap the roll pin out.
2. Tap the drive shaft assembly in to disengage gear from gear rack.
3. Moved slide-out inner rail in/out to desired location.
4. Tap drive shaft assembly back into position.
5. Use a drift punch to tap roll pin back into shaft.

Before proceeding put slide-out motor brake lever back into "Engaged" position.