



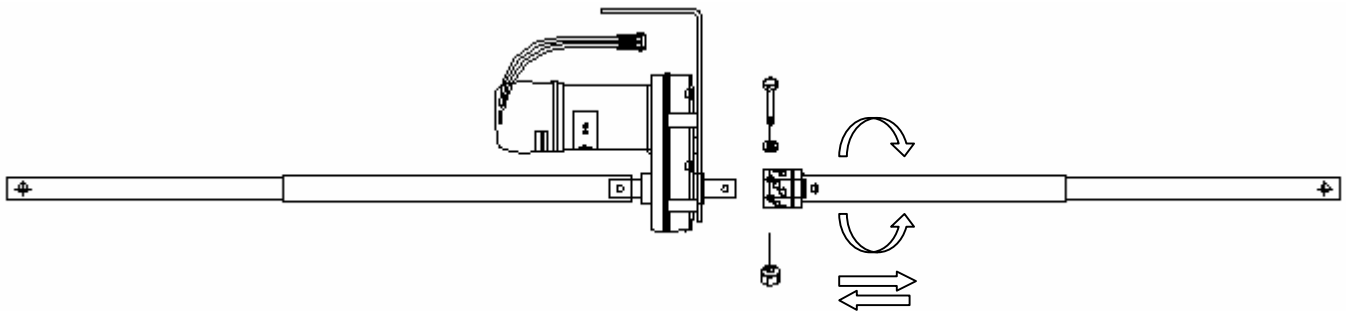
T.I.P. Troubleshooting Information on Power Gear

SYNCHRONIZING A 2 RAIL SLIDE-OUT ROOM WITH A COLLARED DRIVE SHAFT ASSEMBLY

Should the slide-out room go out of synchronization this procedure will allow you to retime the room. Measure room synchronization from common solid points at each end of the room.

NOTE- This Tip Sheet covers low profile slide-out systems with a collared drive shaft assembly.

To synchronize the room please refer to the Figure below.



With room about half way out, release slide-out motor brake.

1. Unbolt the nut / bolt / washer assembly on the collared drive shaft
2. Using an adjustable wrench, turn the collared drive shaft clockwise or counterclockwise to move that end of the room to the desired location.
3. Check the timing of the room for accuracy.
4. While rotating the collared shaft move it in or out to align the closest collar hole with the motor shaft hole.
5. Re-install the nut / bolt / washer assembly and torque per specifications in appropriate TIP sheet.
6. Check timing. Room should be within $\frac{1}{4}$ " of even. If not repeat steps 2 through 6 .
7. Move motor brake to "Engaged" position.