



MANUAL RETRACTION OF POWER GEAR SLIDE-OUT

© Copyright Power Gear Released: April, 2011

#82-S0505, Rev. 0A April, 2011

WARNING

When the motor brake is released the motor output shaft is not locked into place and can be moved by the weight of the slide-out room.

If the room has been manually retracted, be sure to return the motor brake lever to its NORMAL ENGAGED POSITION in order to seal and lock the room into position. See Figure 2a on this page for the normal engaged position of brake release lever.

Manual Retraction of Power Gear Slide Out System

Crank Mode: In the event of a total system failure, a 3/4" socket or wrench may be used to retract the room.

1. Locate the slide-out motor. The motor will be attached to the base of the system or in between the slide-out arms. Refer to Figure 1 on pg 1.
2. Disconnect the motor leads at the connector (see Figure 2, page 2).
3. With your thumb, depress the spring lock lever on the right hand side of the boot cover. Then, rotate the override lever counter-clockwise with your index finger to release the motor brake. Refer to Figures 4, 4a, and 4b on page 2.
4. Locate the manual override on the output shaft of the motor (see figure 2, page 2).
5. If the motor is located between the rails of the slide out system, the override coupling will be located on the side of the front or rear rail assembly. Refer to Figure 1.
6. Check the slide out awning (some awnings must be manually unlocked before operating).
7. Using a 3/4" wrench or ratchet, crank the room in completely. If access to the override coupling is limited, an adjustable wrench can be used to turn the square drive/cross tube on the system.
8. Check to make sure that you have a good seal.
9. Engage the brake lever by rotating clockwise when viewed from the gearbox end (see figure 3, page 2).
10. Reconnect the motor leads to the connector.
11. Take the unit to an authorized dealer for service.

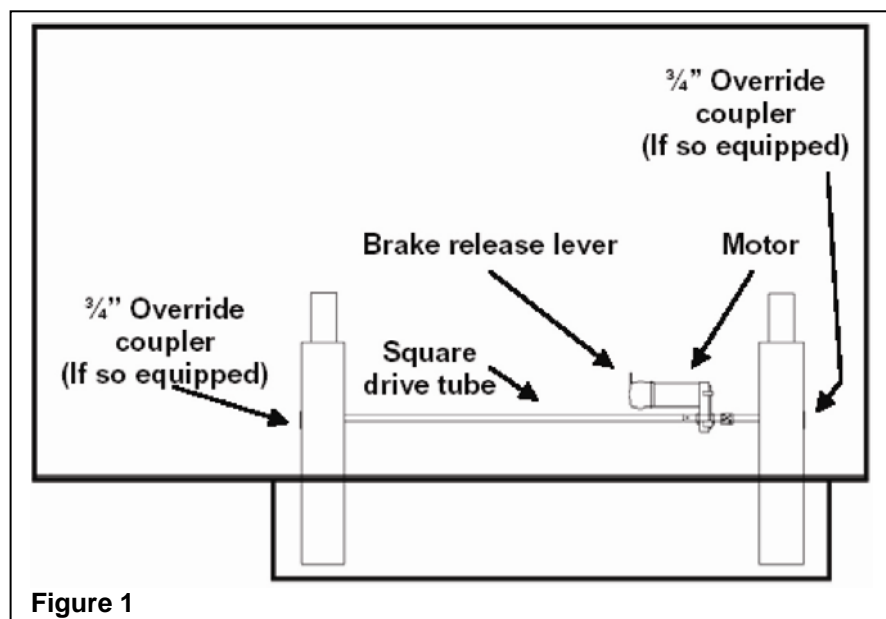


Figure 1



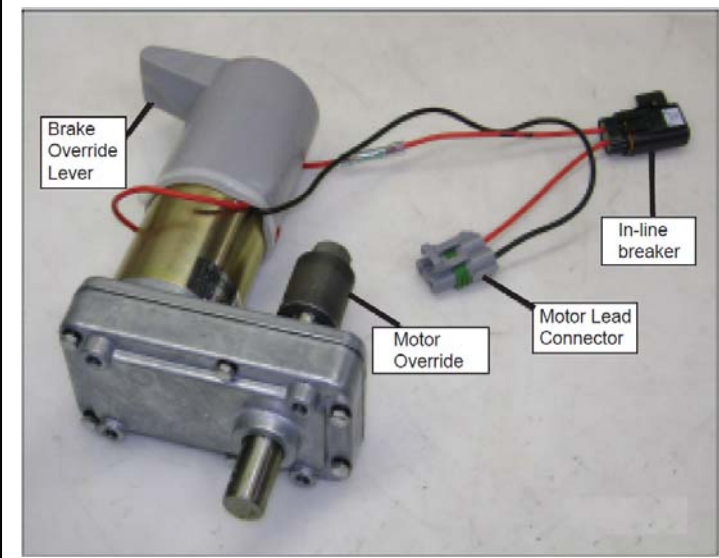


Figure 2

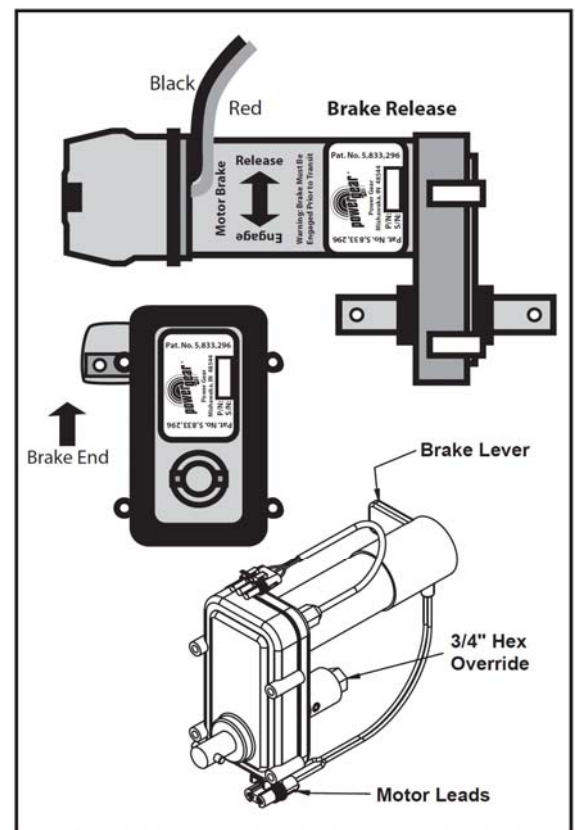


Figure 3



Figure 4

DO NOT remove boot. Removal of rubber boot will void manufacturer's warranty. Rubber boot removed from end of motor only to show brake lever and spring lock.

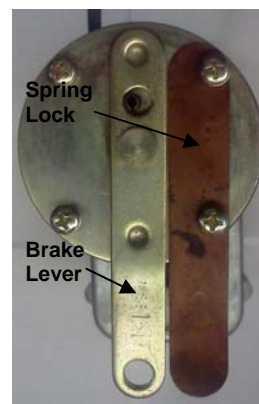


Figure 4a
Brake lever engaged

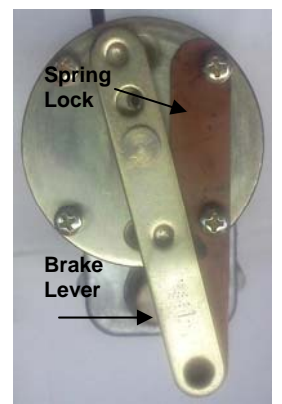


Figure 4b
Brake lever released