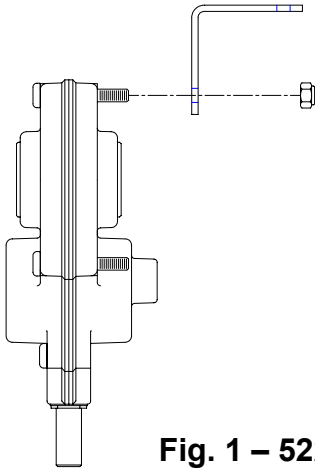




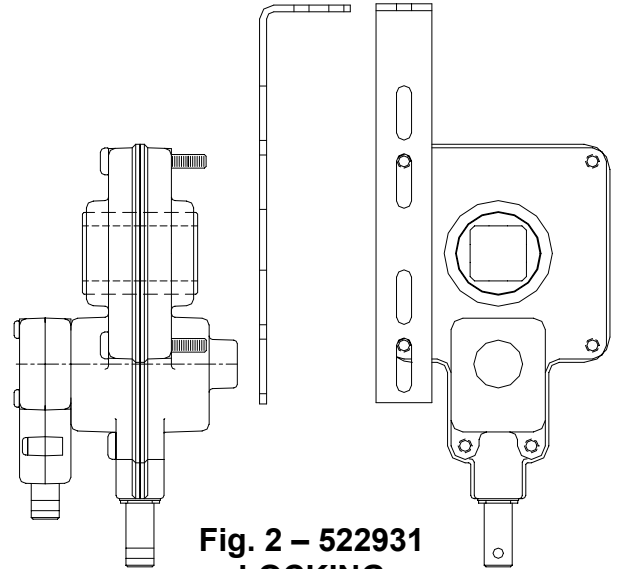
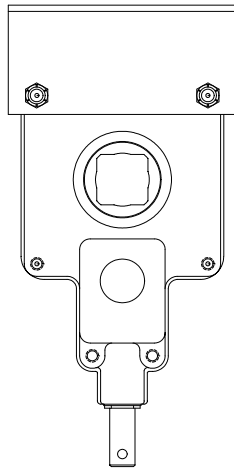
T.I.P. Troubleshooting Information on Power Gear

MANUAL OVERRIDE GEAR INSTALLATION INSTRUCTIONS



**Fig. 1 – 522160
NON-LOCKING**

**ORDER KIT NO.
520038-520479-520918
522162-522414**



**Fig. 2 – 522931
LOCKING**

**ORDER KIT NO.
800121S**

Step by step procedure for replacing obsolete manual gearbox 522342 with 522160 or 522931

1. Disconnect power to electric motor.
2. Remove bolt(Fig. 3A) on drive shaft between motor(Fig. 3D) and manual gear box (Fig 3C).
3. Unbolt manual gear box from mounting bracket (Fig. 3B).
4. Slide the outer drive shaft tube(Fig. 3E) out of manual gearbox, over the inner tube(Fig. 3F).
5. Remove manual gear box and mounting bracket.
6. Put new manual gear box(Fig. 3G) into place with new mounting bracket(Fig 3H).
7. Slide outer drive shaft tube through manual gear box.
8. Reinstall bolt and tighten nut onto motor to secure drive shaft.
9. Attach mounting bracket to cross member.
10. Reconnect power and test new gear box.

NOTE – PART #522342 IS OBSOLETE. PART NOS. 522160 AND 522931 ARE THE REPLACEMENT PARTS FOR THIS MANUAL GEAR BOX.



T.I.P. *Troubleshooting Information on Power Gear*

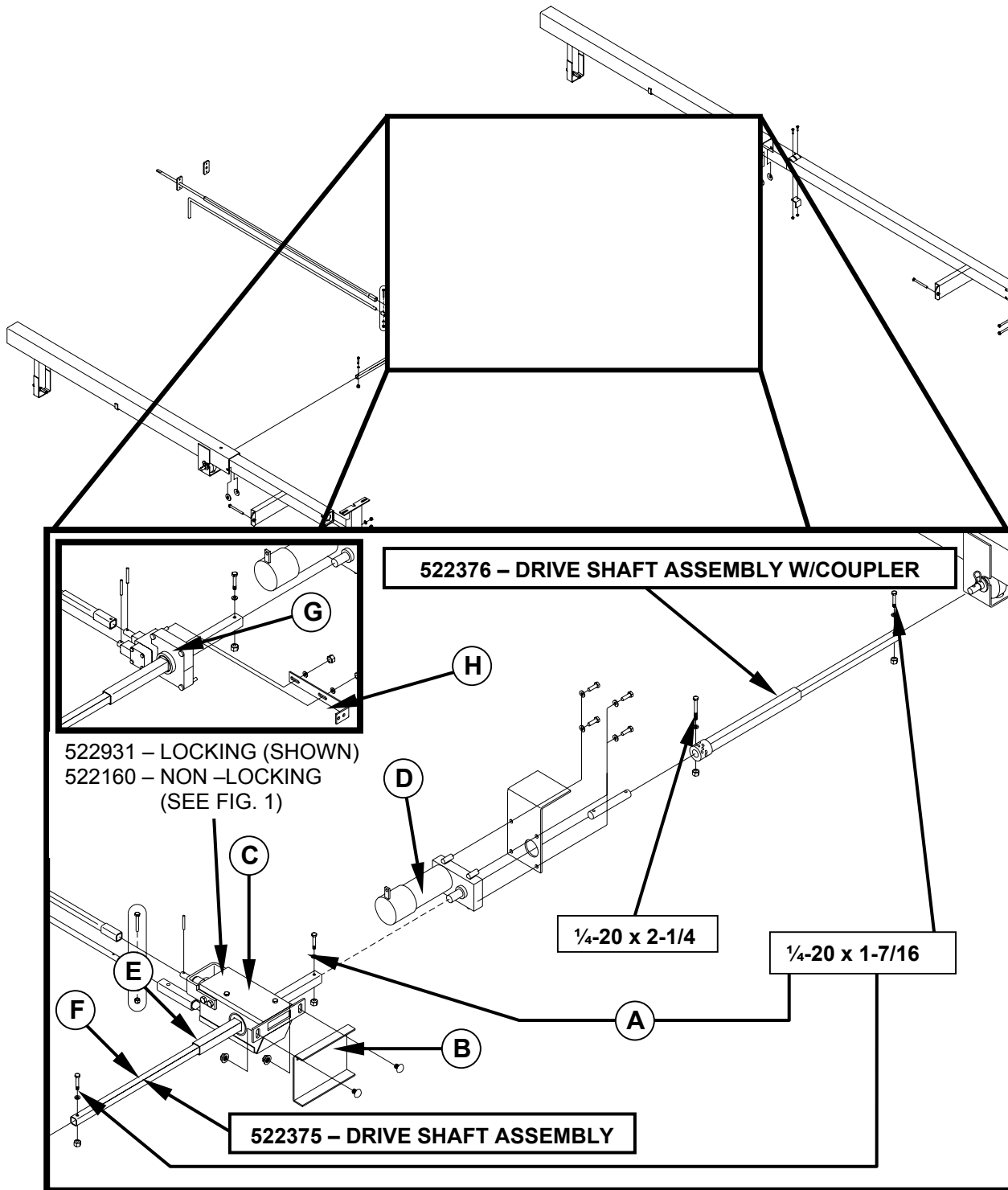


Fig. 3