

HYDRAULICS

Fig. 1 Pump Motor

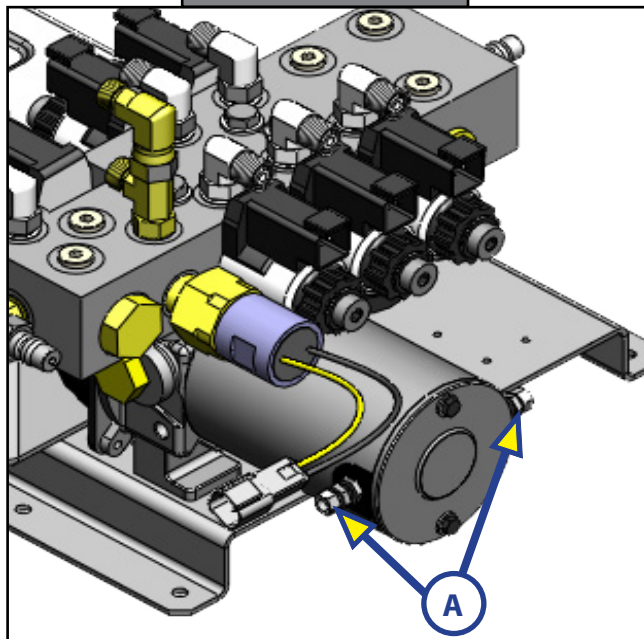
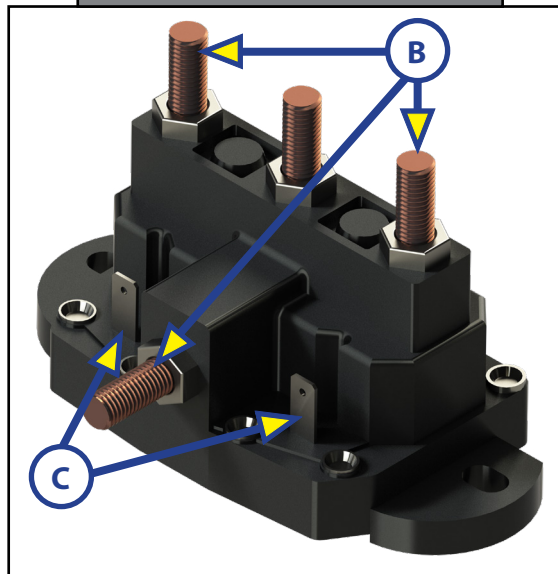


Fig. 2 Dual Polarity Solenoid



Greasing Procedure

1. Remove spade connectors on dual polarity solenoid (Fig. 2). Apply grease on male connectors (Fig. 2C). Replace correct female connectors with corresponding male connectors.
2. Apply grease to power terminals on the pump motor (Fig. 1A).
3. Apply grease to threaded terminals on the dual polarity solenoid (Fig. 2B).

As a supplier of components to the RV industry, safety, education and customer satisfaction are our primary concerns. Should you have any questions, please do not hesitate to contact us at (574) 537-8900 or by email at customerservice@lci1.com. Self-help tips, technical documents, product videos and a training class schedule are available at www.lci1.com or by downloading the MyLCI app.