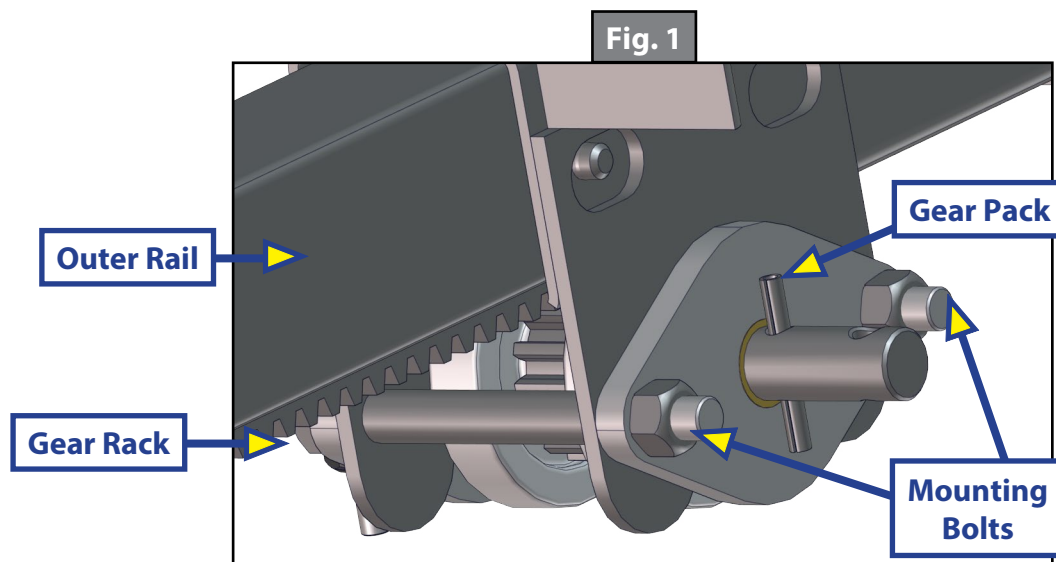


SLIDE-OUTS

In the event a gear pack needs to be replaced, follow these steps:

1. Run slide-out room half way out.
2. Place a jack under the inner arm of the slide-out.
3. Jack room up just enough to remove pressure off the gear pack.
4. Remove drive bolt from the cross shaft.
5. Remove bolts which hold the gear pack assembly in place on the outer rail.
6. Drop out the damaged gear pack.
7. Install the new gear pack.
8. Install bolts to hold gear pack assembly in place on the outer rail.
9. Install cross shaft and bolt.
10. Gear pack assembly does not need to be torqued down, only adequately and securely tightened.

Gear Packs	
281331	2 x 2
140409	2 x 3 3 x 3
324869	Standard 2.5 x 2.5
123356	Heavy Duty 2.5 x 2.5
140418	Embedded Rack



As a supplier of components to the RV industry, safety, education and customer satisfaction are our primary concerns. Should you have any questions, please do not hesitate to contact us at (574) 537-8900 or by email at customerservice@lci1.com. Self-help tips, technical documents, product videos and a training class schedule are available at www.lci1.com or by downloading the MyLCI app.