

SLIDE-OUTS

NOTE: The pressure angle (PA) on all Lippert Through Frame slide-out gear packs has changed from 14.5PA to 20PA. This will require a change in replacement parts used for through frame slide-outs. See [TI-001](#) to determine the gear rack and spur gear currently in use.

For customers with broken teeth in a gear pack, replacement parts will be a new gear pack (20PA) and an original spur gear (14.5PA). The pressure angle of the spur gear on the new gear pack will not mesh with the pressure angle of the old gear rack. The new gear pack will need to be disassembled, and the spur gear on the new gear pack will need to be replaced with the spur gear [122739](#).

To replace spur gear:

1. Remove the roll pin (if equipped).
2. Remove the mounting plate.
3. Remove the spur gear.
4. Replace the spur gear with spur gear [122739](#).
5. Reverse the process.

Parts are as follows:

- 2" x 2" Gear Pack Assembly (20PA) - [281331](#) (Fig. 1)
- 2 ½" x 2 ½" Gear Pack Assembly (20PA) - [324869](#) (Fig. 2)
- 2 ½" x 2 ½" Heavy Duty Steel Gear Pack Assembly (20PA) - [123356](#) (Fig. 3)
- Spur gear (14.5PA) - [122739](#) (Fig. 4)

Fig. 1

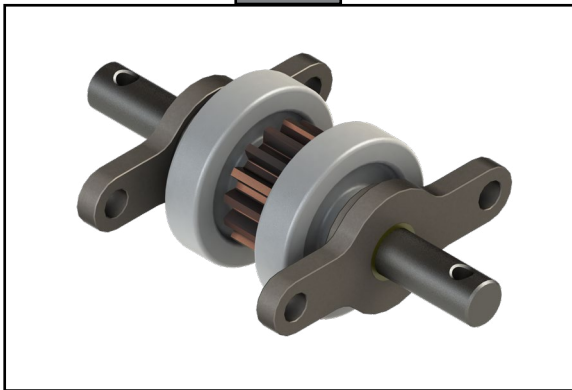


Fig. 2

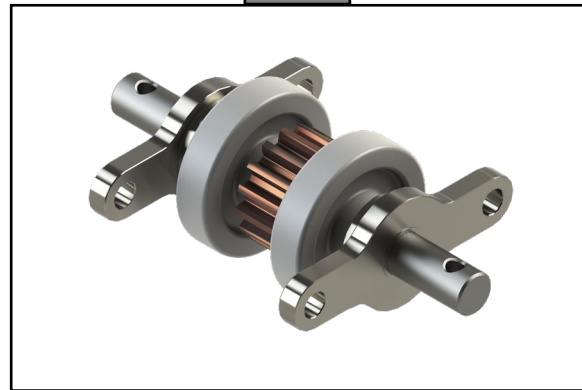


Fig. 3

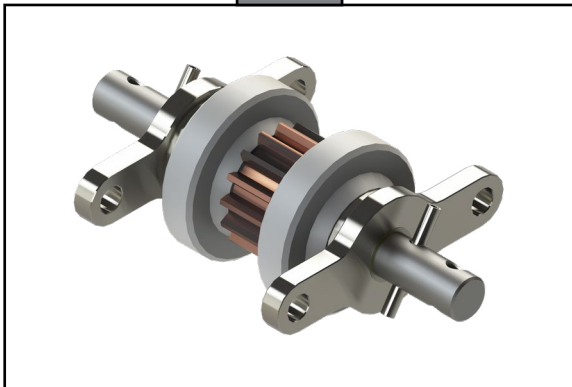
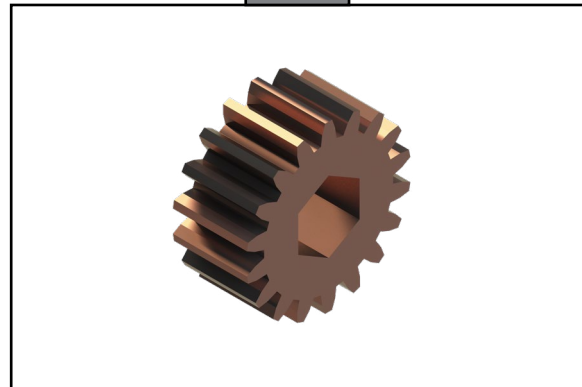


Fig. 4



SLIDE-OUTS

For customers with broken teeth in a gear rack, replacement parts will be two new inner arms, and two new gear packs. Both inner arms and gear packs **MUST** be replaced at the same time in order to maintain timing. The pressure angle of the spur gear on the new gear pack will not mesh with the pressure angle of the old gear rack.

Parts are as follows:

- 2" x 2" Inboard (20PA) - **163778** (Fig. 5.1, Fig 5.2)
- 2" x 2" Outboard (20PA) - **145736** (Fig. 6.1, Fig 6.2)
- 2" x 2" Gear Pack Assembly (20PA) - **281331** (Fig. 1)
- 2 ½" x 2 ½" Inboard (20PA) - **143710** (Fig. 7.1, Fig 7.2)
- 2 ½" x 2 ½" Outboard (20PA) - **143707** (Fig. 8.1, Fig 8.2)
- 2 ½" x 2 ½" Gear Pack Assembly (20PA) - **324869** (Fig. 2)
- 2 ½" x 2 ½" Heavy Duty Steel Gear Pack Assembly (20PA) - **123356** (Fig. 3)

Fig. 5.1

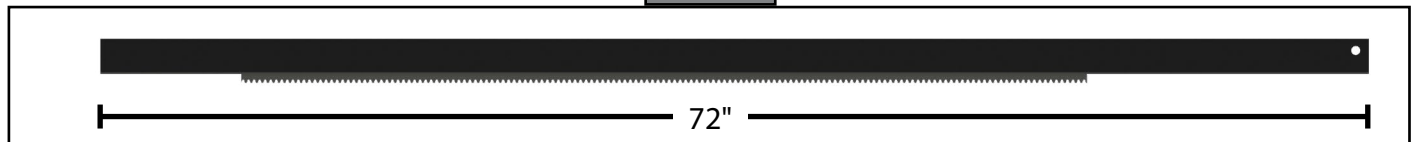


Fig. 5.2

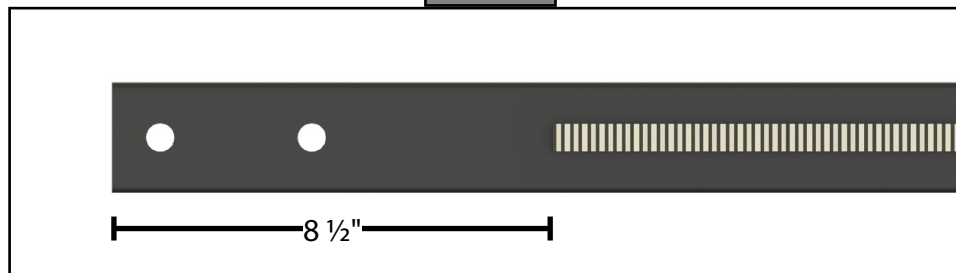


Fig. 6.1

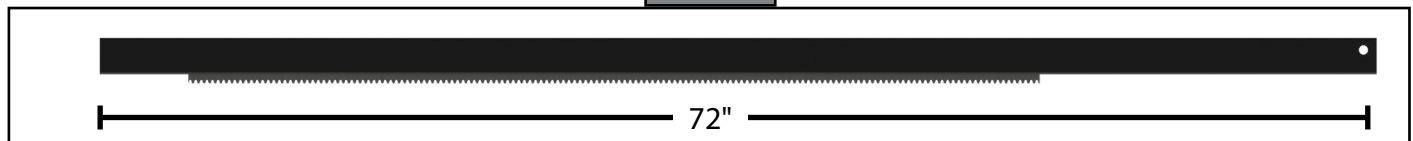
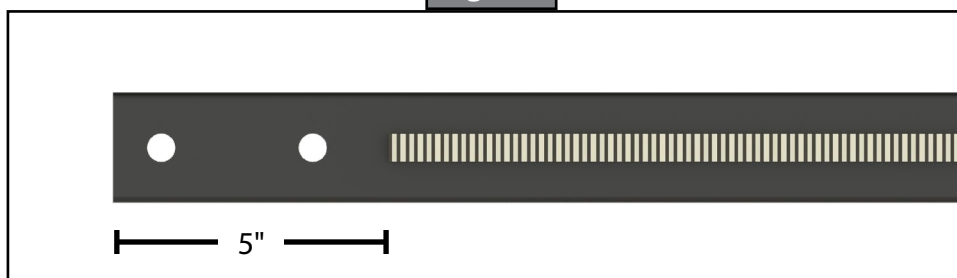


Fig. 6.2



SLIDE-OUTS

Fig. 7.1

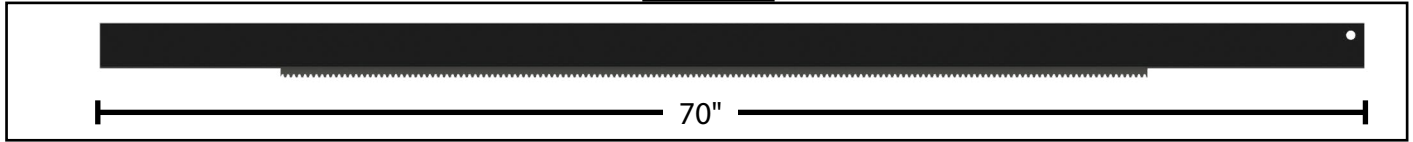


Fig. 7.2

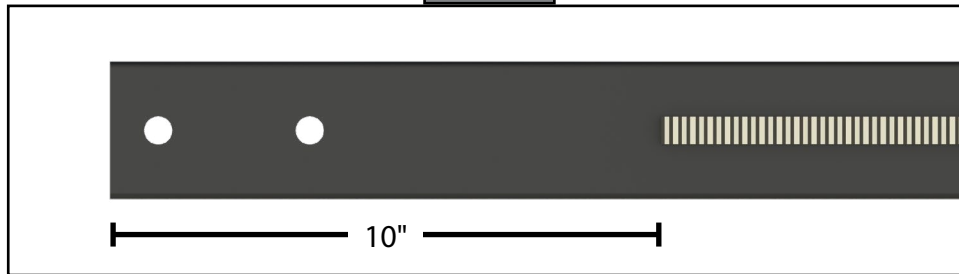


Fig. 8.1

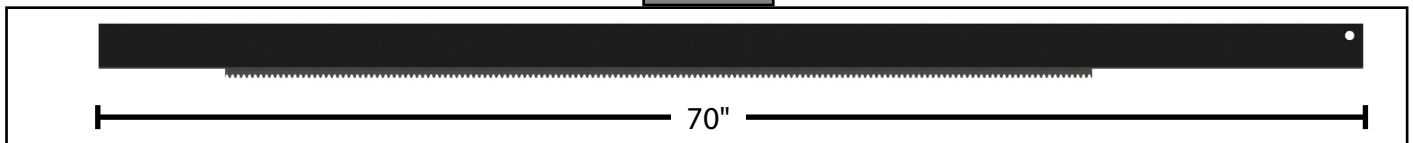
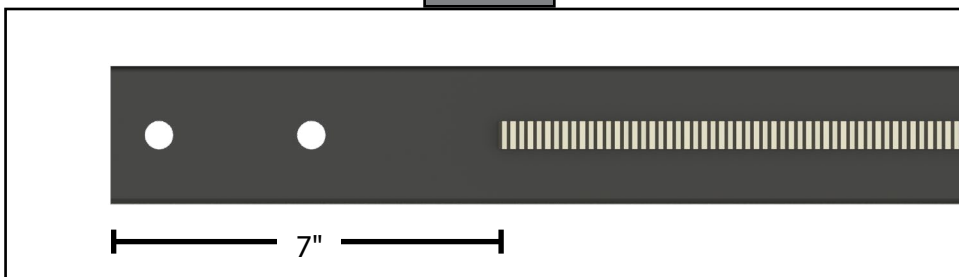


Fig. 8.2



As a supplier of components to the RV industry, safety, education and customer satisfaction are our primary concerns. Should you have any questions, please do not hesitate to contact us at (574) 537-8900 or by email at customerservice@lci1.com. Self-help tips, technical documents, product videos and a training class schedule are available at lci1.com or by downloading the MyLCI app.