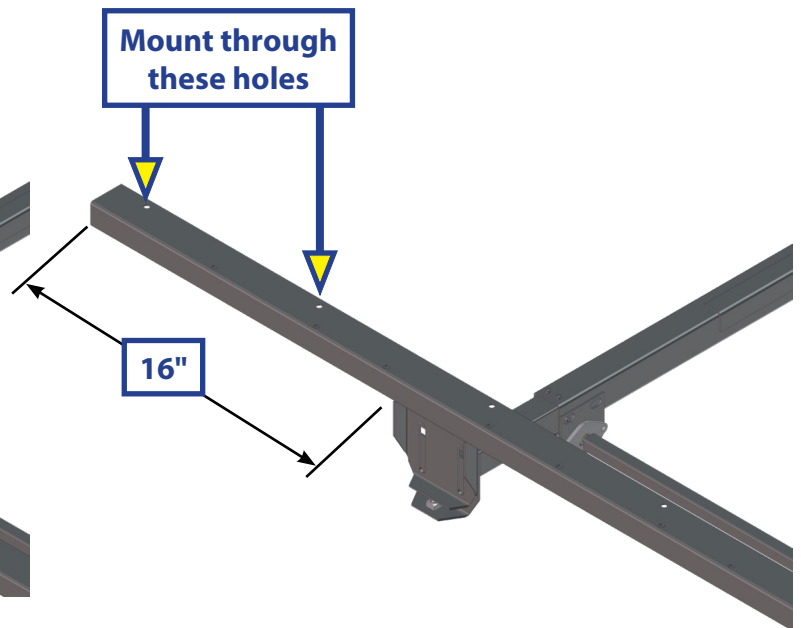
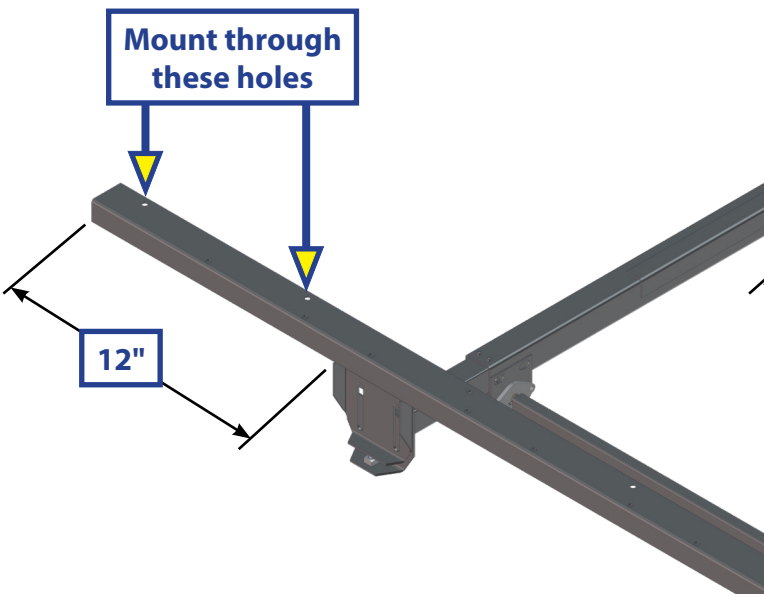
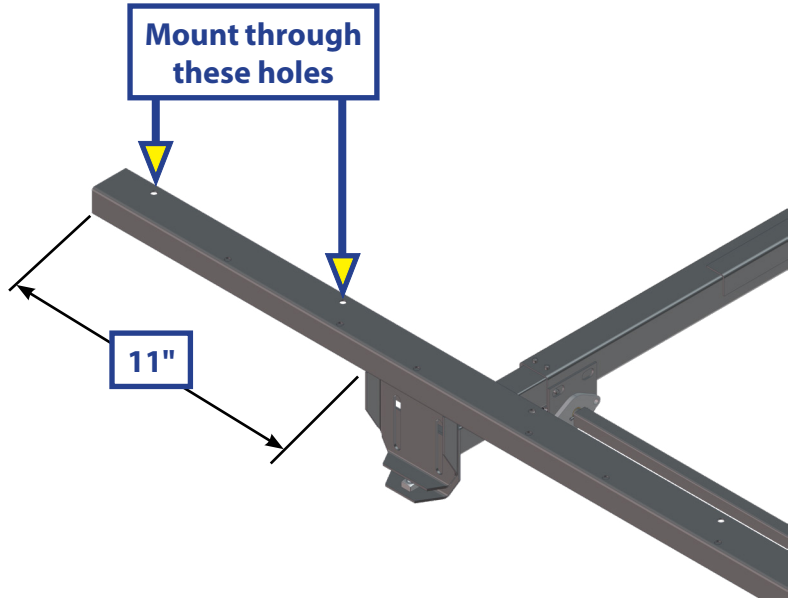
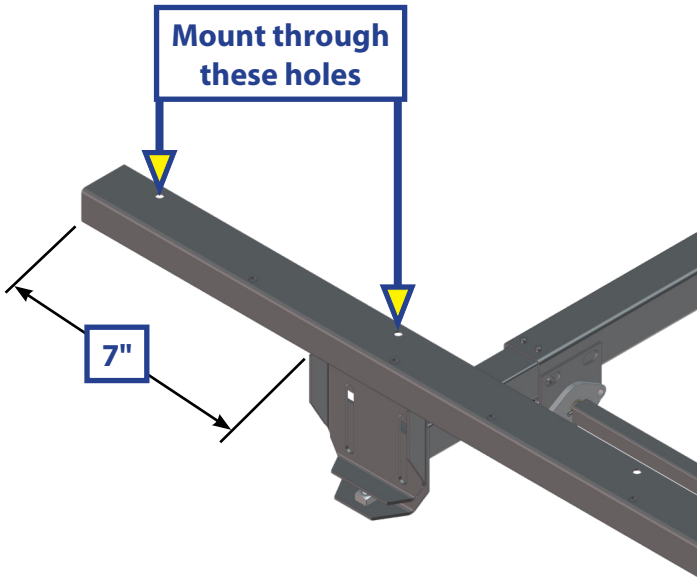


SLIDE-OUTS

The intent of this Technical Information Sheet is to show the mounting specifications for room bars on Lippert through frame slide-outs.

NOTE: Room bars **MUST** be installed with either $\frac{3}{8}$ " x 4" lag bolts or $\frac{3}{8}$ " carriage bolts on either side of the head assembly, distributed every 14" – 18".



As a supplier of components to the RV industry, safety, education and customer satisfaction are our primary concerns. Should you have any questions, please do not hesitate to contact us at (574) 537-8900 or by email at customerservice@lci1.com. Self-help tips, technical documents, product videos and a training class schedule are available at lci1.com or by downloading the MyLCI app.