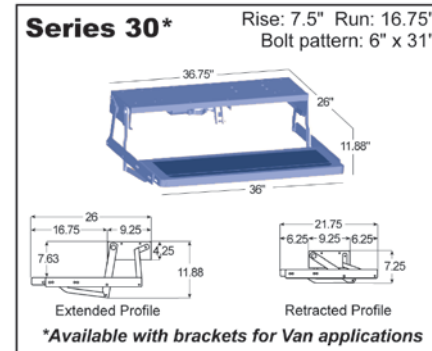
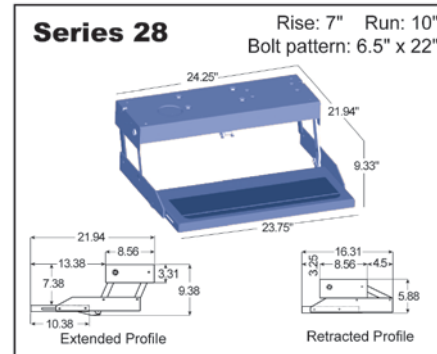
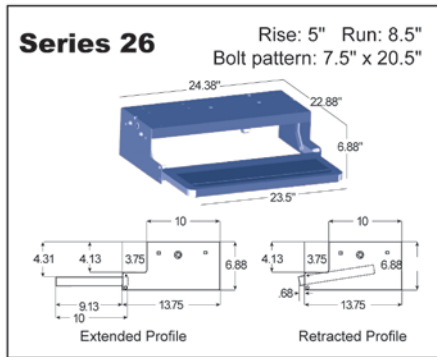
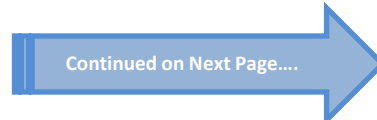


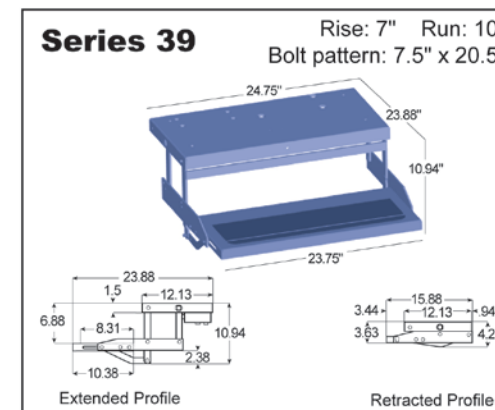
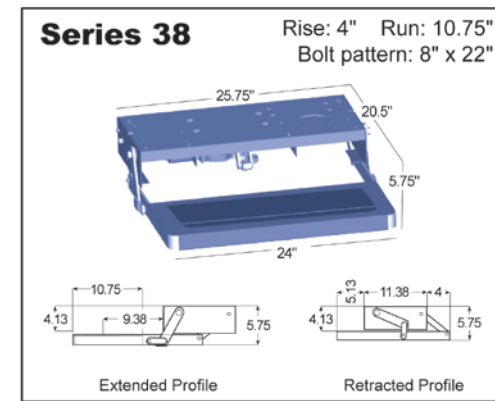
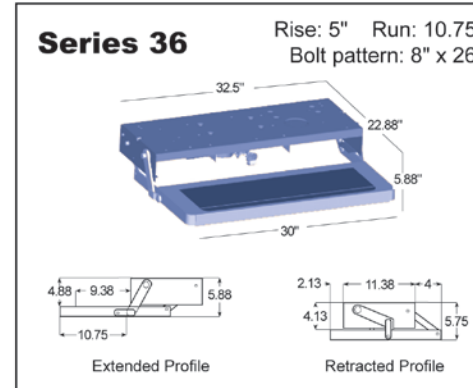
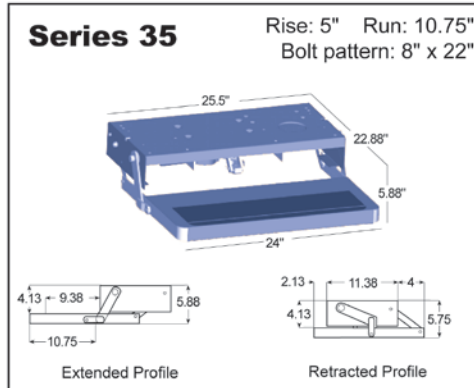
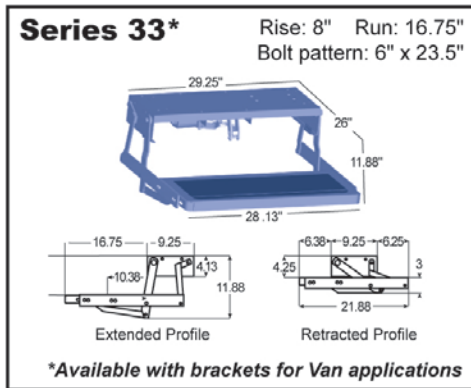
Kwikkee Single Series Steps



Step Series	Part Number	Contains Step Control?	Tread Size	Switch Kit	Rise	Run
26 Series	902600906	No	23.5"	905316000	5"	8.5"
26 Series	902609025	Yes	23.5"	905325000	5"	8.5"
28 Series	902800906	No	23.75"	905316000	7"	10"
28 Series	902809025	Yes	23.75"	905325000	7"	10"
30 Series	903000900	No	36"	None	7.5"	16.75"
30 Series	903009000	Yes	36"	None	7.5"	16.75"

****All Steps listed come with appropriate motor. If you require a replacement motor or motor/control upgrade kit, see Step Motor & IMGL Linkage Application Chart.**





Step Series	Part Number	Contains Step Control?	Tread Size	Switch Kit	Rise	Run
33 Series	903300906	No	28.13"	905316000	8"	16.75"
33 Series	903309025	Yes	28.13"	905325000	8"	16.75"
35 Series	903500906	No	24"	905316000	5"	10.75"
35 Series	903509025	Yes	24"	905325000	5"	10.75"
36 Series	903600906	No	30"	905316000	5"	10.75"
36 Series	903609025	Yes	30"	905325000	5"	10.75"
38 Series	903800906	No	24"	905316000	4"	10.75"
38 series	903809025	Yes	24"	905325000	4"	10.75"
39 Series	903900906	No	23.75"	905316000	7"	10"
39 Series	903909025	Yes	23.75"	905325000	7"	10"

****All Steps listed come with appropriate motor. If you require a replacement motor or motor/control upgrade kit, see Step Motor & IMGL Linkage Application Chart.**