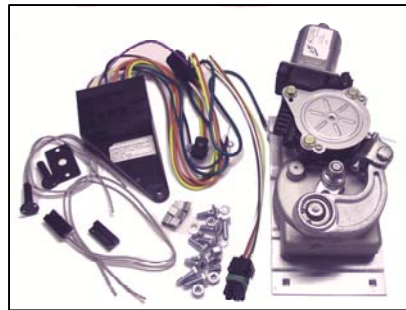
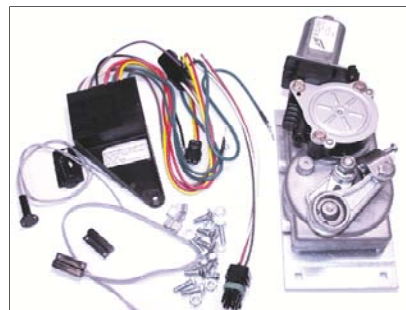


Step Motor Improvement Kits

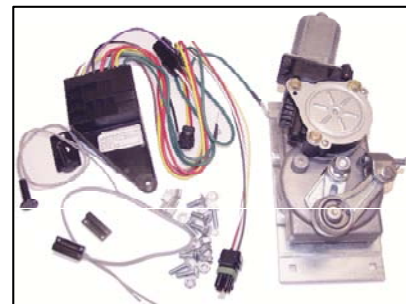
Identify the right Step Motor Improvement Kit with this Application Guide. The improvements increase performance, reliability, and longevity of step operation and simplify parts replacement.



909770000

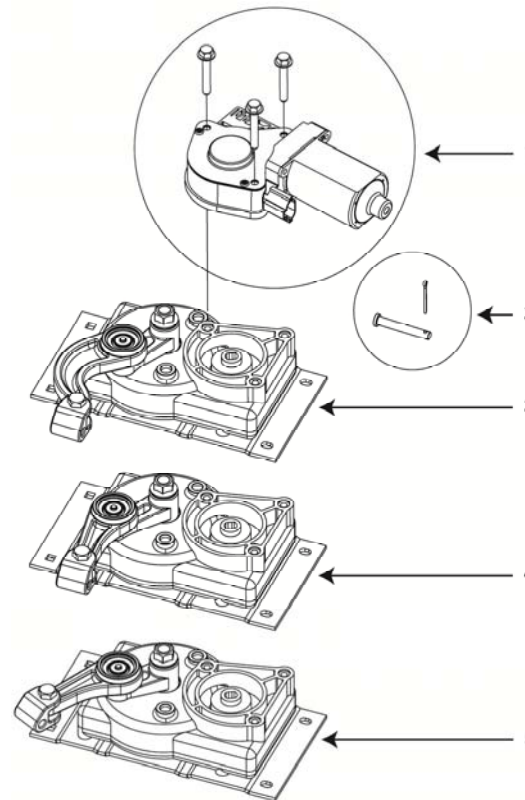


909772000



909774000

Motor Assembly Drawing and Parts Key Numbers



Replacement parts for older motor/control combinations are the same as for steps fitted with the IMGL and 9510 Control. IMGL and 9510 Control require a 'NORMALLY OPEN' door switch to operate correctly. Replacement switches included in kit.

Replacement Parts Kits for Step Series 22, 23, 30, 32, 33, 34, 35, 36, 38, and 40

Parts Key#	Description	Replacement Kit P/N
1,2,3	'A' Linkage IMGL & Control Unit	909770000
3	'A' Linkage/Gearbox	1101425
1	Step Motor Only	1101428
2	Pin & Clevis Kit	905205000

Replacement Parts Kits for Step Series 28, 31, 37, and 39

Parts Key#	Description	Replacement Kit P/N
1,2,4	'B' Linkage IMGL & Control Unit	909772000
4	'B' Linkage/Gearbox	1101426
1	Step Motor Only	1101428
2	Pin & Clevis Kit	905205000

Replacement Parts Kits for Step Series 26

Parts Key#	Description	Replacement Kit P/N
1,2,5	'C' Linkage IMGL & Control Unit	909774000
5	'C' Linkage/Gearbox	1101427
1	Step Motor Only	1101428
2	Pin & Clevis Kit	905205000